



ADA Compliant

This Space for Architect/Engineer Approval

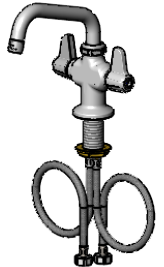
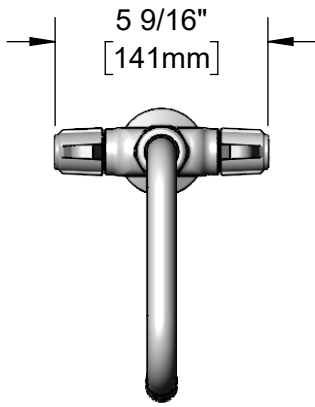
Job Name _____ Date _____

Model Specified _____ Quantity _____

Customer/Wholesaler _____

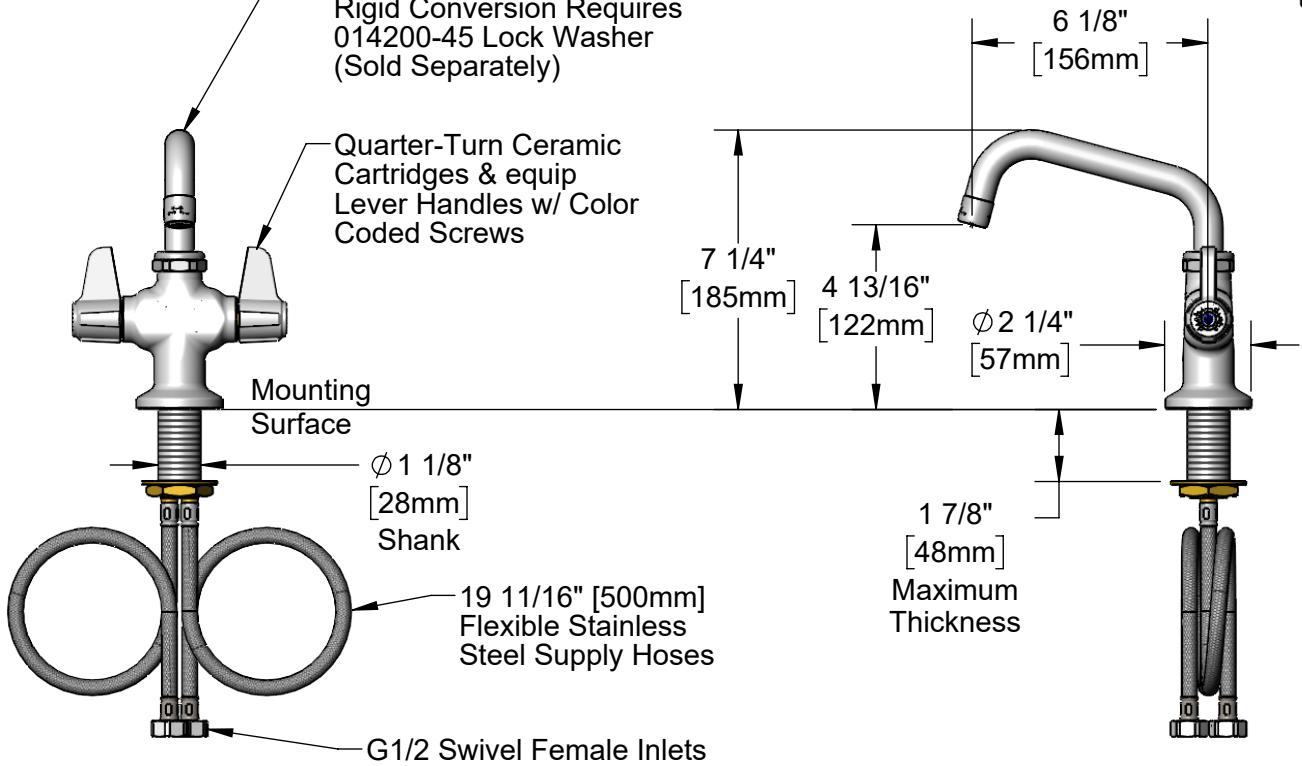
Contractor _____

Architect/Engineer _____



5SP-06-F12
6" equip Swing Nozzle
w/ 1.2 GPM [4.5 L/Min] Aerator.
Rigid Conversion Requires
014200-45 Lock Washer
(Sold Separately)

Quarter-Turn Ceramic
Cartridges & equip
Lever Handles w/ Color
Coded Screws



Mounting
Surface

Ø 1 1/8"
[28mm]
Shank

19 11/16" [500mm]
Flexible Stainless
Steel Supply Hoses

G1/2 Swivel Female Inlets

Rough-In Requirement:
Ø 1 1/2" [38mm] Mounting Hole

Model Number

5F-2SLF06F12

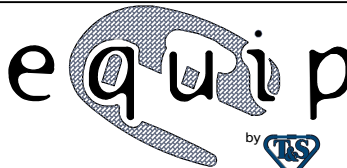
Product Specifications:

Single Hole Deck Mount Mixing Faucet w/ Quarter-Turn Ceramic Cartridges, equip Lever Handles, 6" equip Swing Nozzle, 1.2 GPM [4.5 L/min] Aerator, 19 11/16" Flexible Supply Hoses w/ & G1/2 Female Swivel Inlets

Product Compliance:

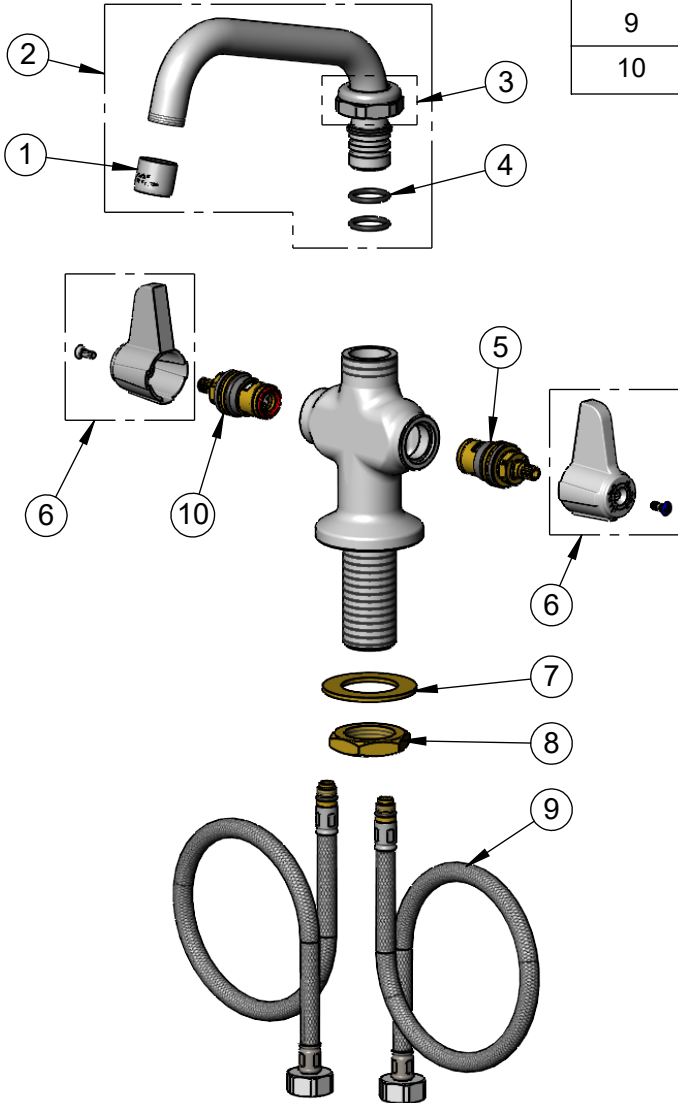
ASME A112.18.1 / CSA B125.1
NSF 61 - Section 9
NSF 372 (Low Lead Content)
ANSI A117.1 (ADA)

equip
Foodservice
Accessories



2 Saddleback Cove, P.O. Box 1088
Travelers Rest, South Carolina 29690
Phone: 800.891.4808 Fax: 800.868.0084
equip.tsbrass.com

ITEM NO.	SALES NO.	DESCRIPTION
1	5F-F12	1.2 GPM Aerator, 3/4-27 UN Female
2	5SP-06-F12	6" equip Swing Nozzle w/ 1.2 GPM Aerator
3	013839-25	equip Swivel Nut
4	013848-45	O-Ring, Size 2-115
5	013788-45	equip Quarter-Turn Ceramic Cartridge, LTC
6	5-HDL-L	equip Lever Handle w/ Color Coded Screws
7	002290-45	Lock Washer
8	000965-45	Lock Nut
9	012436-45DR	Flexible Connector Hose
10	013787-45	equip Quarter-Turn Ceramic Cartridge, RTC



Model Number

5F-2SLF06F12

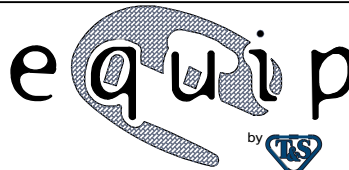
Product Specifications:

Single Hole Deck Mount Mixing Faucet w/ Quarter-Turn Ceramic Cartridges, equip Lever Handles, 6" equip Swing Nozzle, 1.2 GPM [4.5 L/min] Aerator, 19 11/16" Flexible Supply Hoses w/ & G1/2 Female Swivel Inlets

Product Compliance:

ASME A112.18.1 / CSA B125.1
NSF 61 - Section 9
NSF 372 (Low Lead Content)
ANSI A117.1 (ADA)

equip
Foodservice
Accessories



2 Saddleback Cove, P.O. Box 1088
Travelers Rest, South Carolina 29690
Phone: 800.891.4808 Fax: 800.868.0084
equip.tsbrass.com