



Presenting  
Our Newest Compact Hose Reel:

the B-7161-C  
6 Ft. Compact Light-Duty Hose Reel

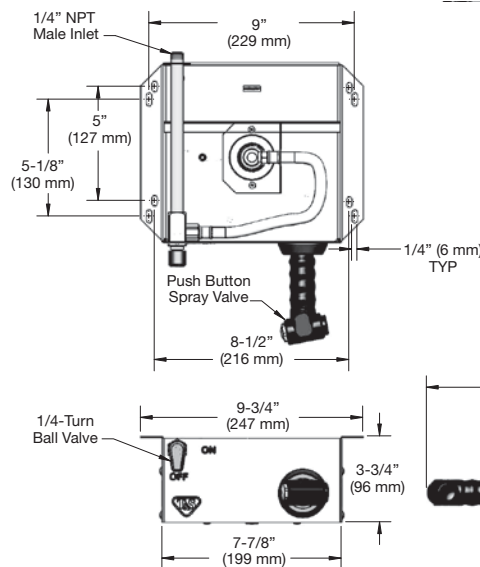
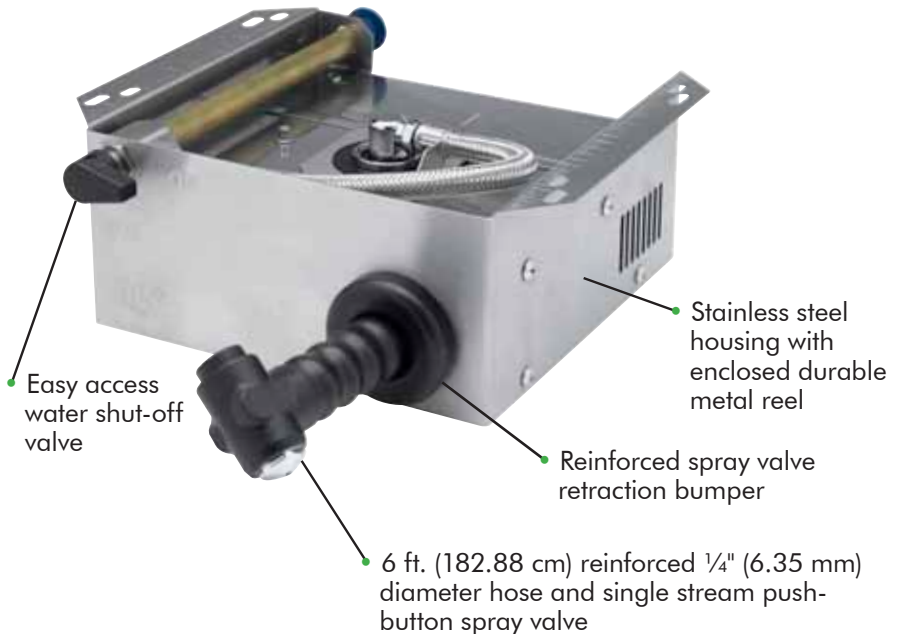
We are pleased to introduce the latest **T&S Brass Hose Reel** model in our innovative hose reel product line.

The **B-7161-C Compact Light-Duty Hose Reel** is designed for combi oven and light-duty cleaning or similar applications. It features a 6 ft. (182.88 cm) reinforced 1/4" diameter black hose secured around an enclosed metal reel. The stainless steel enclosed housing keeps the working parts protected. The **B-7161-C** has a single stream spray valve and easy access shut-off valve, both located on the front panel.

The hose reel's anti-lockout feature ensures full retraction of the hose even when fully extended. Hose bend restrictors at both ends of the hose protect high stress points and ensure a long hose life. The all-brass main swivel construction also contributes to this hose reel's durability.

Also included with the **B-7161-C**:

- 1/4" NPT supply nipple
- 1/4-turn supply valve with shut-off on front panel
- 1/4" NPT (6.35 mm) brass inlet pipe and stainless steel braided flex line
- Ratchet and hose guide repair kits
- One-year warranty



**B-7161-C  
Hose Reel  
APPLICATIONS:**

- Combi oven
- Light-duty cleaning
- Compact size makes it good for retrofitting



**RELIABILITY BUILT IN™**

**T&S Brass and Bronze Works, Inc.** [www.tsbrass.com](http://www.tsbrass.com)  
2 Saddleback Cove, P.O. Box 1088 • Traveler Rest, SC 29690  
Toll-free 800.476.4103 • Fax 800.868.0084 • [tsbrass@tsbrass.com](mailto:tsbrass@tsbrass.com)

