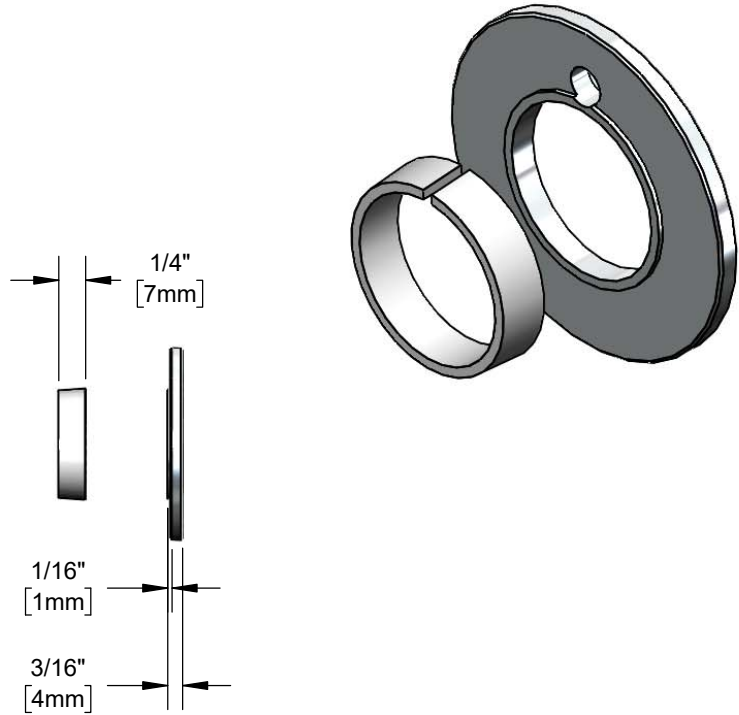
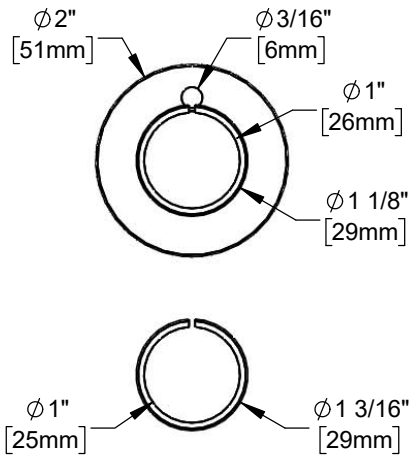




Architect/Engineering Specifications:

Chrome plated brass ϕ 2" base ring and plastic deck plate spacer. Fits B-0712 series, B-2460 series and similar sales models.

Job Name _____
 Model Specified _____ Quantity _____
 Variations Specified _____
 Date _____



Features & Benefits:

- ϕ 2 " chrome plated brass base ring
- Plastic deck plate spacer
- Fits B-0712 Series, B-2460 Series and similar sales models
- Material: Chrome plated brass, Plastic

Product Compliance:

- N/A

Warranty: One Year (Limited)

Performance Data:

- N/A

