



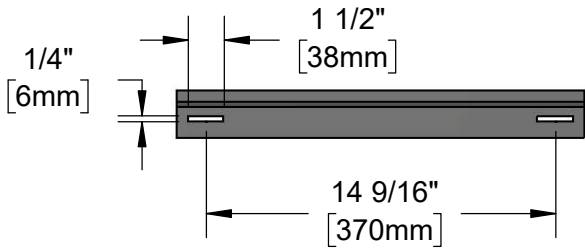
T&S BRASS AND BRONZE WORKS, INC.
 2 Saddleback Cove / P.O. Box 1088
 Travelers Rest, SC 29690

Model No.

CH-W1715-S

Item No.

Travelers Rest, SC: 800-476-4103 • Simi Valley, CA: 800-423-0150 • Fax: 864-834-3518 • www.tsbrass.com



Mounting Bracket

This Space for Architect/Engineer Approval

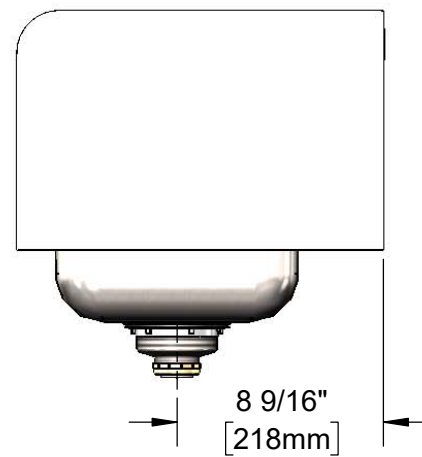
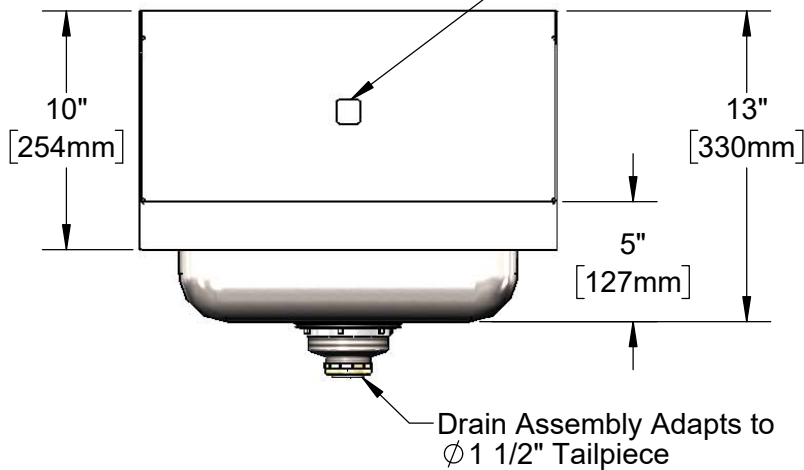
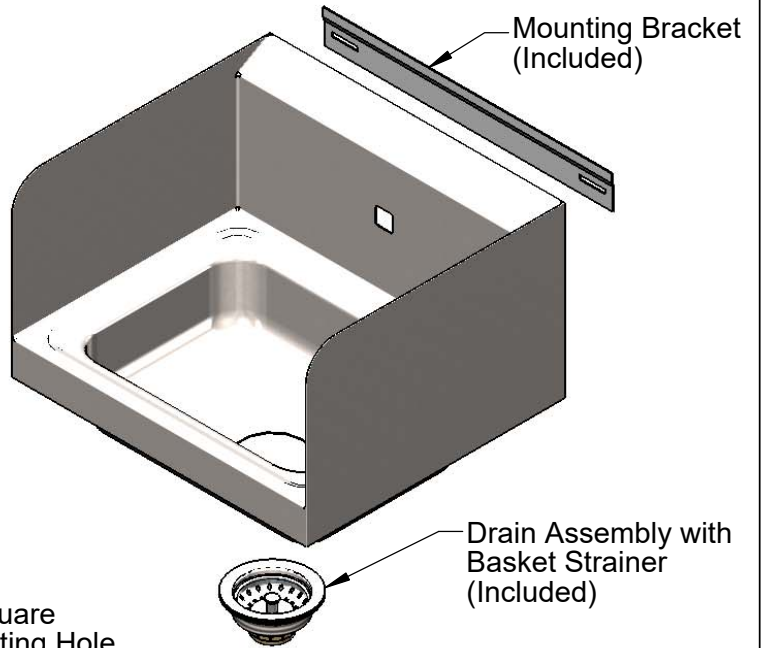
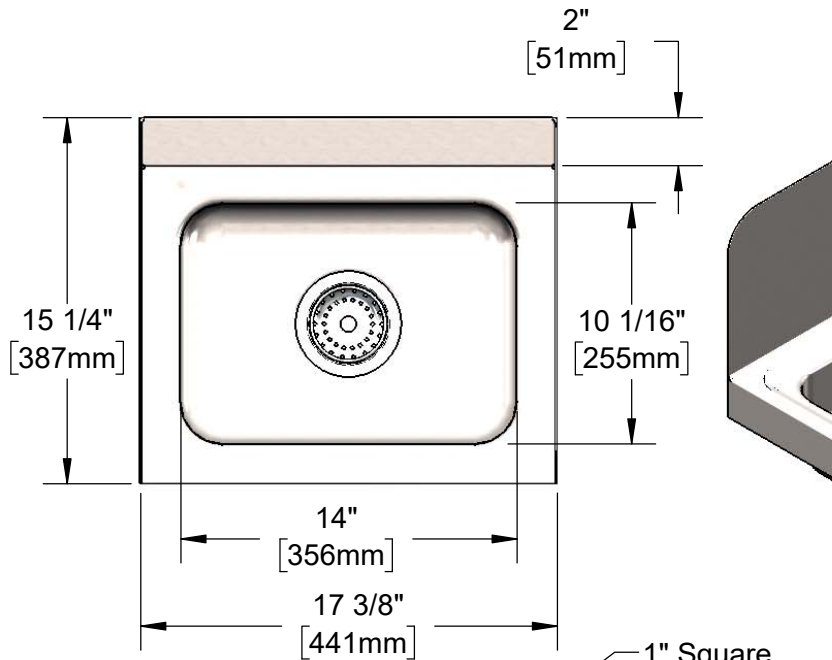
Job Name _____ Date _____

Model Specified _____ Quantity _____

Customer/Wholesaler _____

Contractor _____

Architect/Engineer _____



Product Specifications:
 Hand Wash Sink w/ Backsplash, Side Splash Shields, Drain Assembly and Mounting Bracket. NSF Approved, Stainless Steel, 17" x 15" Overall, 14" x 10" Bowl, Single Faucet Mounting Hole, 3 1/2" Drain Hole

Product Compliance:
 ASME A112.19.3 / CSA B45.4
 NSF 2