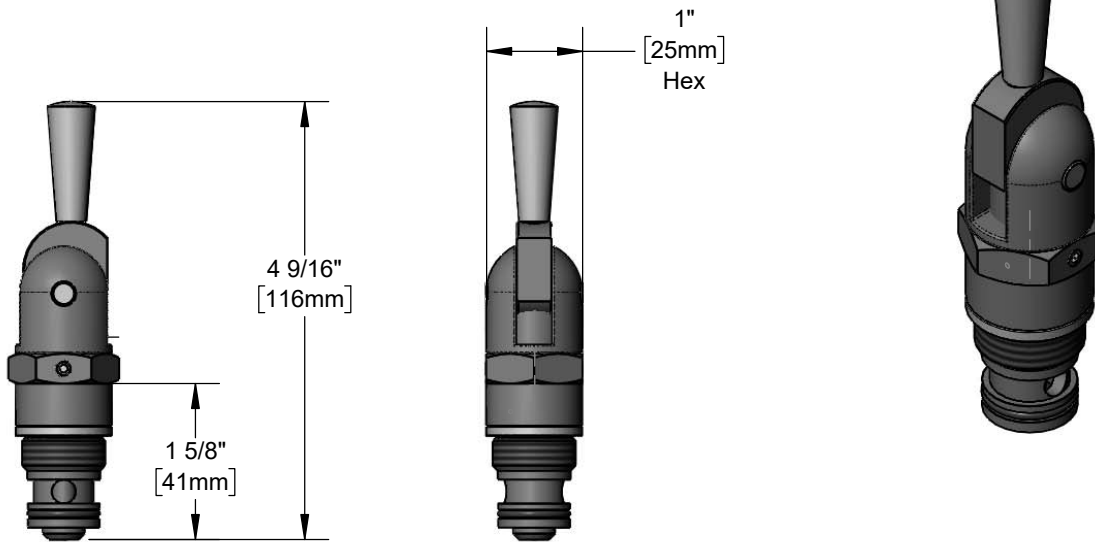




Architect/Engineering Specifications:

PVC bonnet assembly, manual / self-closing.

Job Name _____
 Model Specified _____ Quantity _____
 Variations Specified _____
 Date _____



Features & Benefits:

- PVC bonnet assembly
- Manual / self-closing
- Material: PVC

Product Compliance:

- N/A

Warranty: One Year (Limited)

Performance Data:

- N/A

