



T&S BRASS AND BRONZE WORKS, INC.
 2 Saddleback Cove / P.O. Box 1088
 Travelers Rest, SC 29690

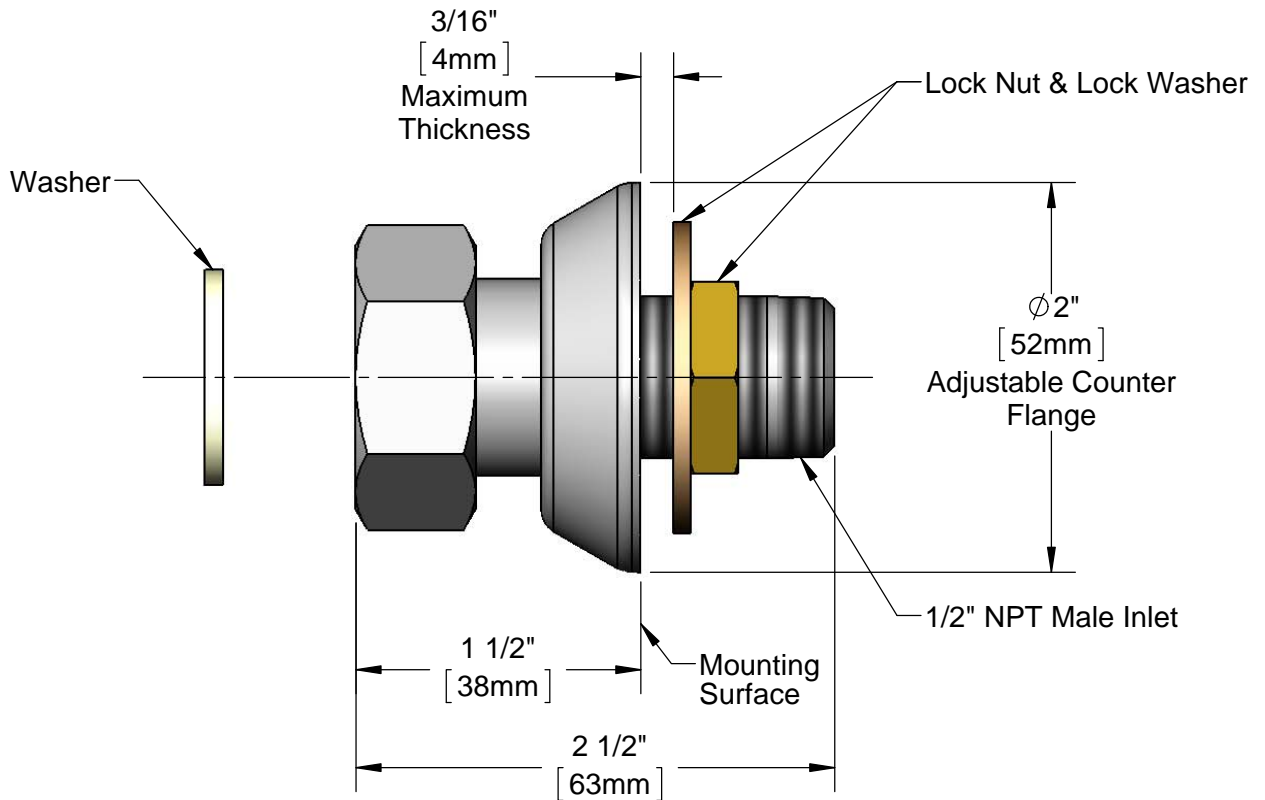
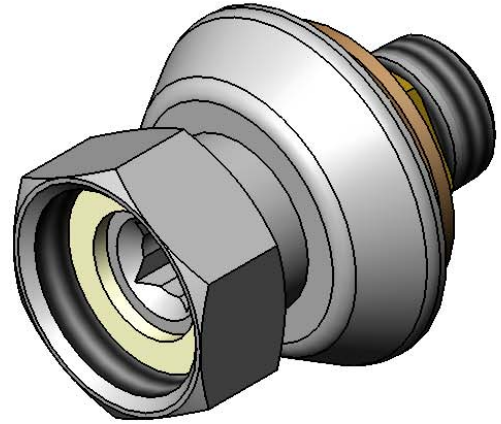
Model No.
00EE

Item No.

Travelers Rest, SC: 800-476-4103 • Simi Valley, CA: 800-423-0150 • Fax: 864-834-3518 • www.tsbrass.com

This Space for Architect/Engineer Approval

Job Name _____ Date _____
 Model Specified _____ Quantity _____
 Customer/Wholesaler _____
 Contractor _____
 Architect/Engineer _____



Chrome Plated Brass

Product Specifications:
 1/2" NPT Male Inlet Faucet Flange w/ $\phi 2"$ Adjustable Counter Flange

Drawn DMH	Checked DHL	Approved JHB
Scale: 1:1		Date: 08/29/12