



Faucets and Fittings
B-CVH3-8

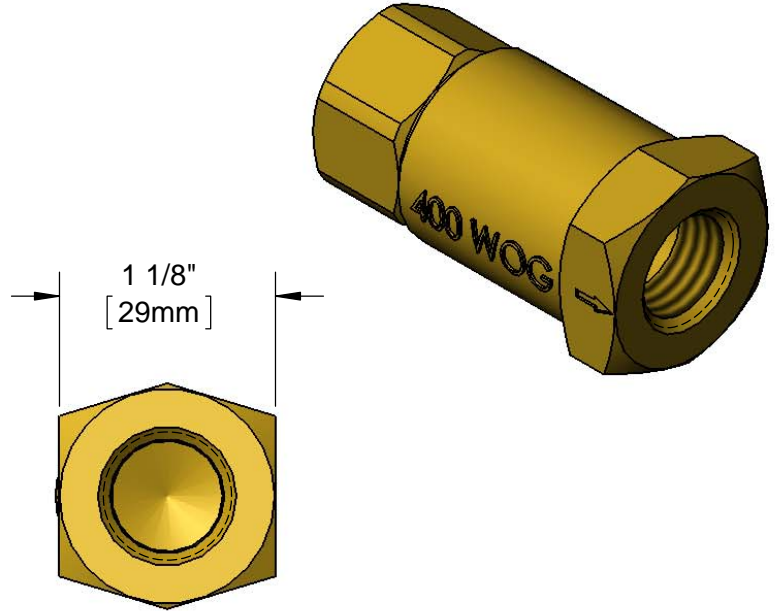
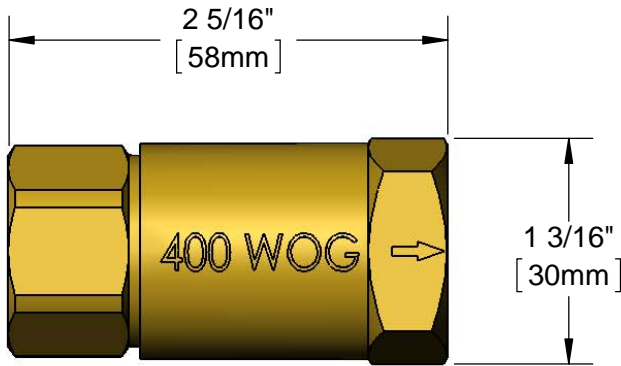
TAG:

3/8" NPT Check Valve

Architect/Engineering Specifications:

Horizontal check valve for water use only with 3/8" NPT inlet and outlet. Certified to ASME A112.18.1/CSA B125.1, NSF 61-Section 9 and NSF 372.

Job Name _____
 Model Specified _____ Quantity _____
 Variations Specified _____
 Date _____



Features & Benefits:

- 3/8" NPT horizontal check valve
- For water use only
- 3/8" NPT inlet and outlet
- Material: Brass

Product Compliance:

- ASME A112.18.1 / CSA B125.1
- NSF 61 - Section 9
- NSF 372 (Low Lead Content)



Warranty: One Year (Limited)



Performance Data:

- Pressure: 20 - 400 psi
- Temperature: 40°F - 200°F
- Flow Rate: 5.0 GPM @ 60 psi



T&S BRASS AND BRONZE WORKS, INC.



• 2 Saddleback Cove • Travelers Rest, SC 29690
 Ph 800-476-4103 • Fax 864-834-3518
 • Simi Valley, CA • Ph 800-423-0150 • www.tsbrass.com

Date: 01/18/16