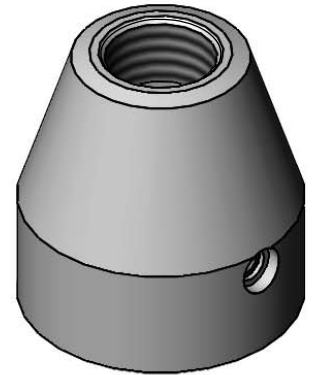
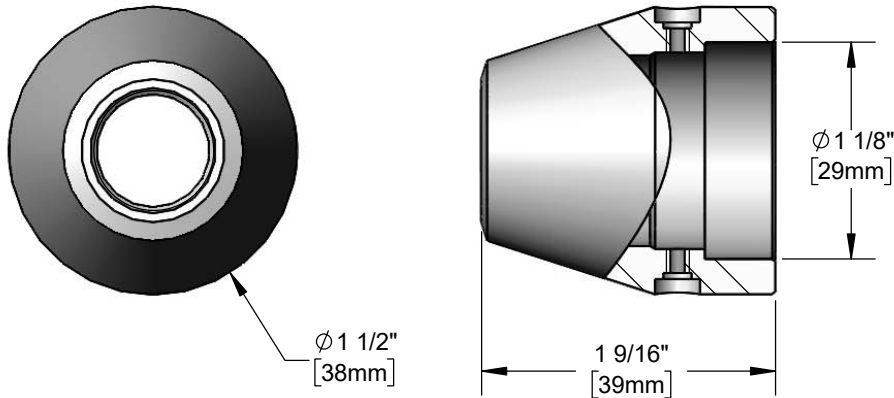




Architect/Engineering Specifications:

Diverter cover for use with swivel faucets with T&S side sprays. Certified to NSF 61-Section 9 and NSF 372.

Job Name _____
 Model Specified _____ Quantity _____
 Variations Specified _____
 Date _____



Features & Benefits:

- For use with T&S swivel faucets with side sprays
- 5/8-27 UN outlet
- (2) #8-32 UN female thread
- Material: Chrome plated brass

Product Compliance:

- NSF 61 - Section 9
- NSF 372 (Low Lead Content)



Warranty: One Year (Limited)



Performance Data:

- N/A

