

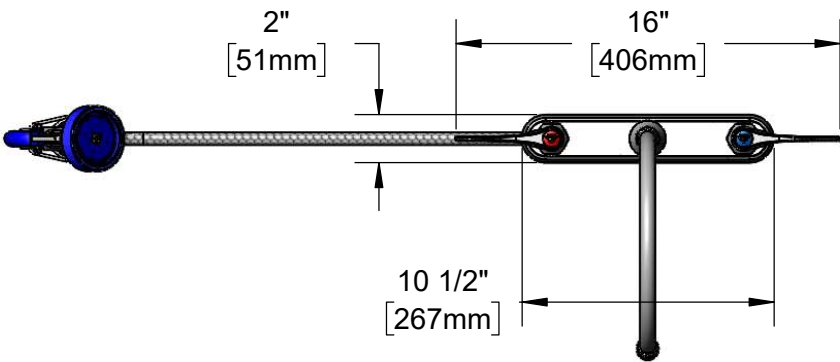


T&S BRASS AND BRONZE WORKS, INC.
 2 Saddleback Cove / P.O. Box 1088
 Travelers Rest, SC 29690

Model No.
PG-2347-WH4-VH

Item No.

Travelers Rest, SC: 800-476-4103 • Simi Valley, CA: 800-423-0150 • Fax: 864-834-3518 • www.tsbrass.com



This Space for Architect/Engineer Approval

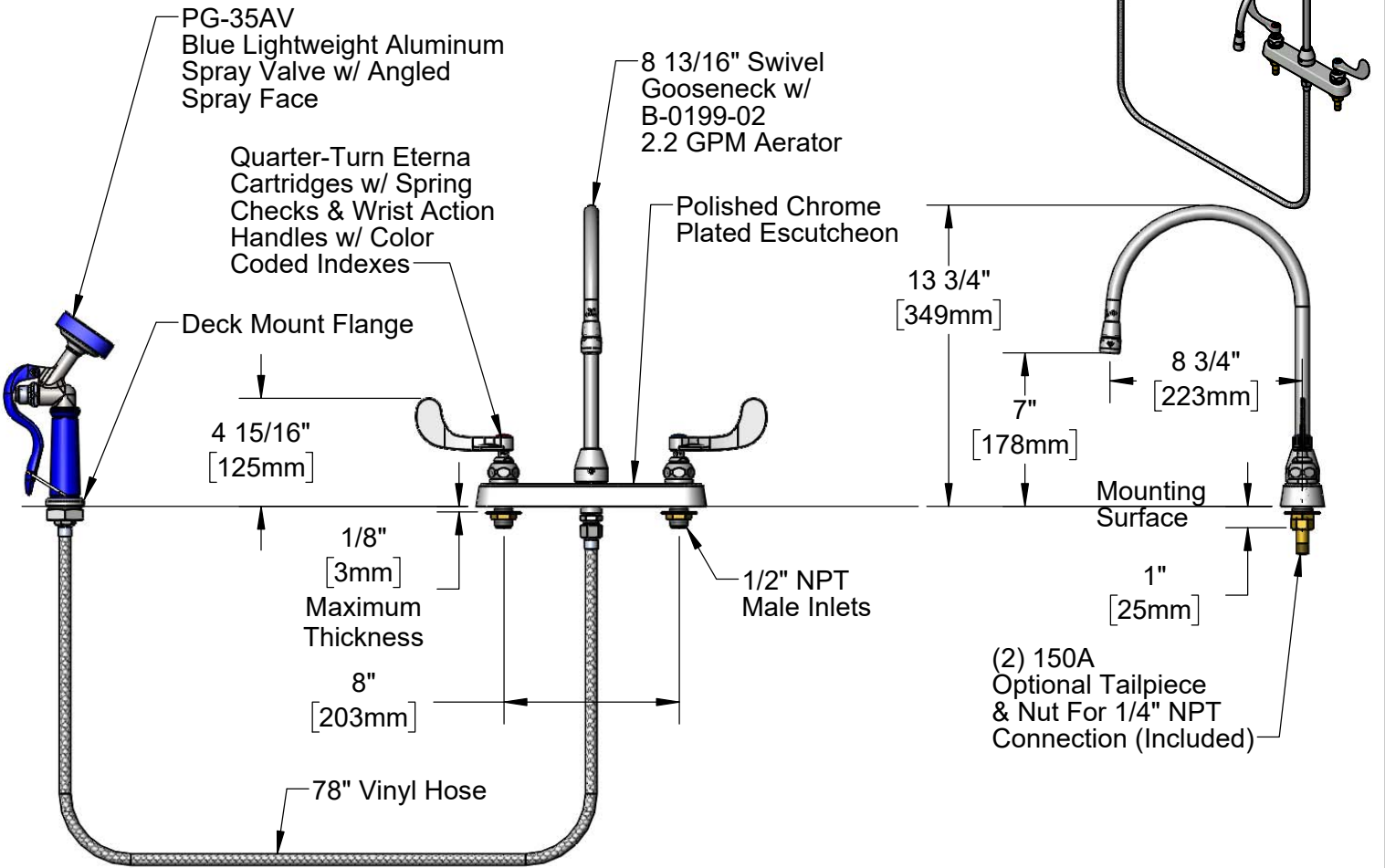
Job Name _____ Date _____

Model Specified _____ Quantity _____

Customer/Wholesaler _____

Contractor _____

Architect/Engineer _____



Rough-In Requirement:
 Faucet: (3) Ø 1" [25mm] Mounting Holes
 Deck Flange: (1) Ø 1 9/16" Mounting Hole

Product Specifications:
 8" Deck Mount Mixing Faucet, Quarter-Turn Eterna Cartridges w/ Spring Checks, 4" Wrist Action Handles, 8 3/4" Swivel Gooseneck w/ 2.2 GPM Aerator, 78" Vinyl Hose w/ Lightweight Aluminum Spray Valve, Deck Mount Flange & 1/2" NPT Male Inlets

Product Compliance:
 ASME A112.18.1 / CSA B125.1
 NSF 61 Exempt (Non-Potable)
 2019 DOE PRSV Non-Compliant



T&S BRASS AND BRONZE WORKS, INC.

2 Saddleback Cove / P.O. Box 1088
Travelers Rest, SC 29690

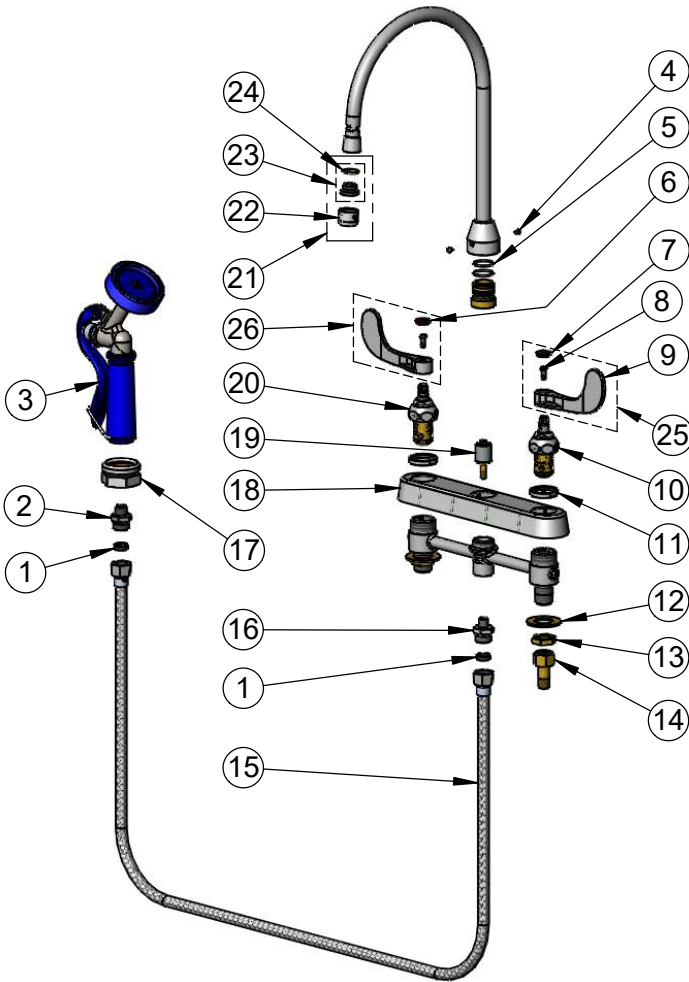
Model No.

PG-2347-WH4-VH

Item No.

Travelers Rest, SC: 800-476-4103 • Simi Valley, CA: 800-423-0150 • Fax: 864-834-3518 • www.tsbrass.com

ITEM NO.	SALES NO.	DESCRIPTION
1	010476-45	#27 Washer
2	002584-25	1/4" NPT x 3/4-14 Male Adapter
3	PG-35AV	Blue Lightweight Aluminum Spray Valve w/ Angled Spray Face
4	001486-45	Diverter Cover Screw
5	006562-45	O-Ring
6	001193-19NS	Red Button Index, Press-in
7	018506-19NS	Blue Button Index, Press-in
8	000925-45	Lab Handle Screw
9	B-WH4-NS	Wrist Action Handle - New Style
10	012442-40NS	Quarter-Turn New Style Eterna Cartridge w/ Spring Check, LTC
11	019376-40	Escutcheon Lock Nut
12	000999-45	Brass Lock Washer
13	002954-45	Shank Lock Nut
14	150A	1/4" NPT Tailpiece & Nut
15	PG-0078-VH	78" Vinyl Hose
16	000542-25	1/8" NPT x 3/4-14 Male Adapter
17	B-KF	Protective Flange For Deck Mounted Spray Hoses
18	019375-40	B-1120 Eterna Workboard Escutcheon
19	002338-45	Valve Diverter Piston
20	012443-40NS	Quarter-Turn New Style Eterna Cartridge w/ Spring Check, RTC
21	B-0199-02	2.2 GPM Aerator, 3/8" NPSM Male
22	B-0199-01	2.2 GPM Aerator, 55/64-27 UN Female
23	044A	3/8" to Aerator Adapter
24	001043-45	Washer
25	B-WH4C-NS	Wrist Action Handle, Blue Index & Screw
26	B-WH4H-NS	Wrist Action Handle, Red Index & Screw



Product Specifications:

8" Deck Mount Mixing Faucet, Quarter-Turn Eterna Cartridges w/ Spring Checks, 4" Wrist Action Handles, 8 3/4" Swivel Gooseneck w/ 2.2 GPM Aerator, 78" Vinyl Hose w/ Lightweight Aluminum Spray Valve, Deck Mount Flange & 1/2" NPT Male Inlets

Product Compliance:

ASME A112.18.1 / CSA B125.1
NSF 61 Exempt (Non-Potable)
2019 DOE PRSV Non-Compliant