



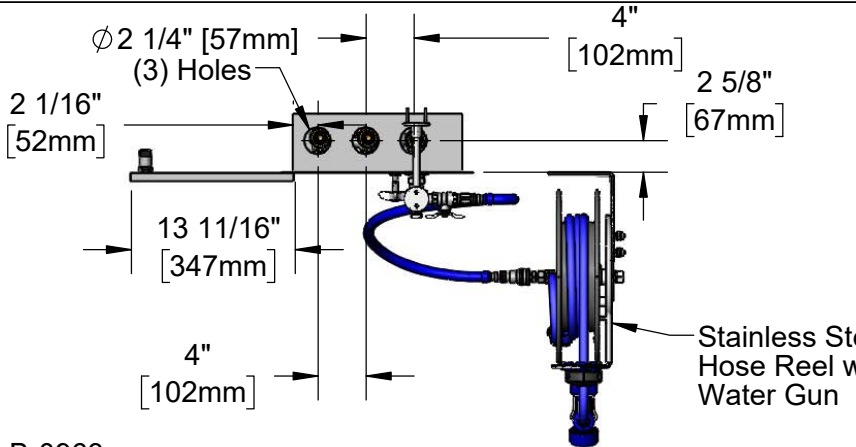
T&S BRASS AND BRONZE WORKS, INC.
 2 Saddleback Cove / P.O. Box 1088
 Travelers Rest, SC 29690

Model No.

B-7132-U03XS5

Item No.

Travelers Rest, SC: 800-476-4103 • Simi Valley, CA: 800-423-0150 • Fax: 864-834-3518 • www.tsbrass.com



This Space for Architect/Engineer Approval

Job Name _____ Date _____

Model Specified _____ Quantity _____

Customer/Wholesaler _____

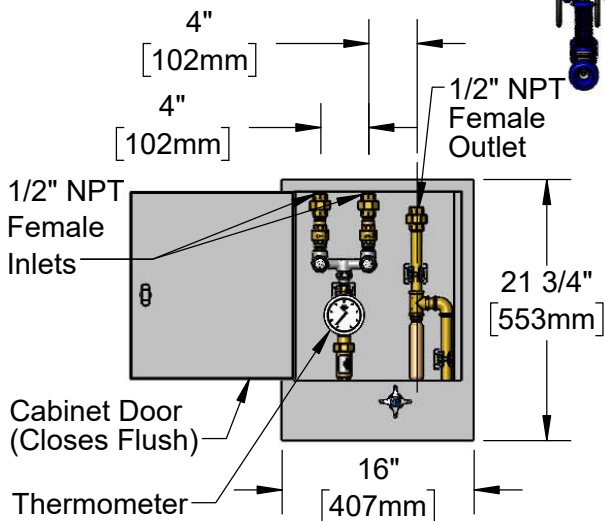
Contractor _____

Architect/Engineer _____

B-0963
 Continuous Pressure
 Vacuum Breaker w/
 Integral Check Valves

EasyInstall
 3/8" NPT x 18" Riser
 3/8" NPT x 36"
 Flexible Water
 Connector

Swivel Elbow w/
 Ø2" [51mm] Flange
 1/2" NPT Female Inlet



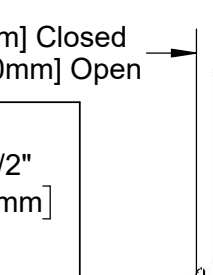
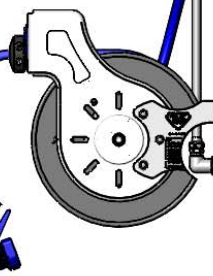
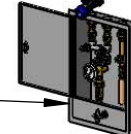
Cabinet Rough-In Requirement:
 20 1/4" H x 14 1/4" W x 5" D

Stainless Steel
 Hose Reel w/
 Water Gun

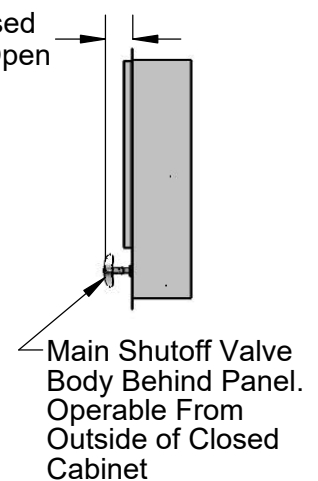
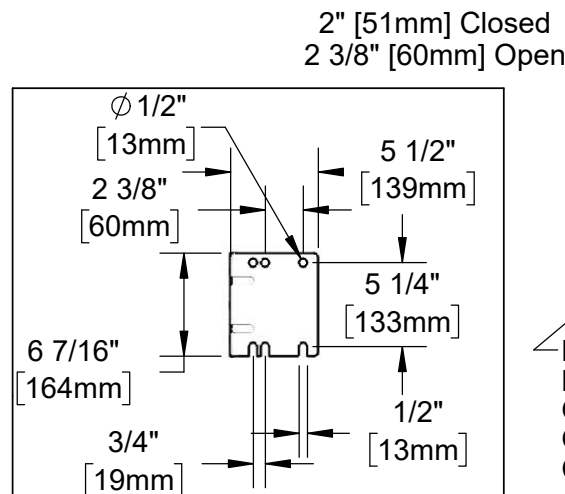
B-2339-LR
 Control Cabinet
 w/ Dual Check
 Valves

Stainless Steel
 Quick Disconnect
 019652-40
 3/8" NPT
 Live Swivel

MV-2516-34
 Stainless Steel Rear
 Trigger Water Gun w/
 7/16" Orifice



B-0109-01
 6" Wall Bracket



Product Specifications:

Open Stainless Steel Hose Reel w/ 35' Hose, High Flow Water Gun w/ Swivel, Rinse Control Cabinet w/ Control Valve, Dual Check Valves, Thermometer, Water Hammer Arrestor & Hose Reel Connector Kit

Product Compliance:

ASSE 1010 (Arrestor)
 ASSE 1024 (VB)
 NSF 61 Exempt (Non-Potable)
 2019 DOE PRSV Non-Compliant
 ASSE 1056 (VB)



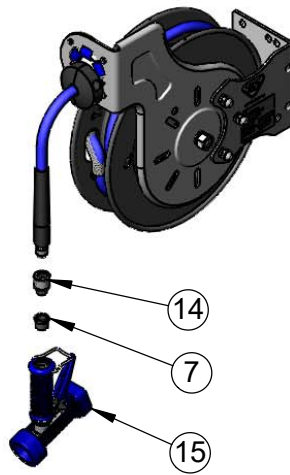
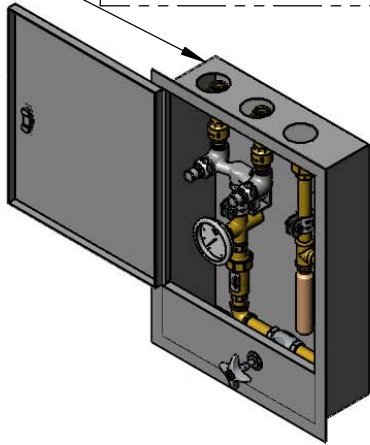
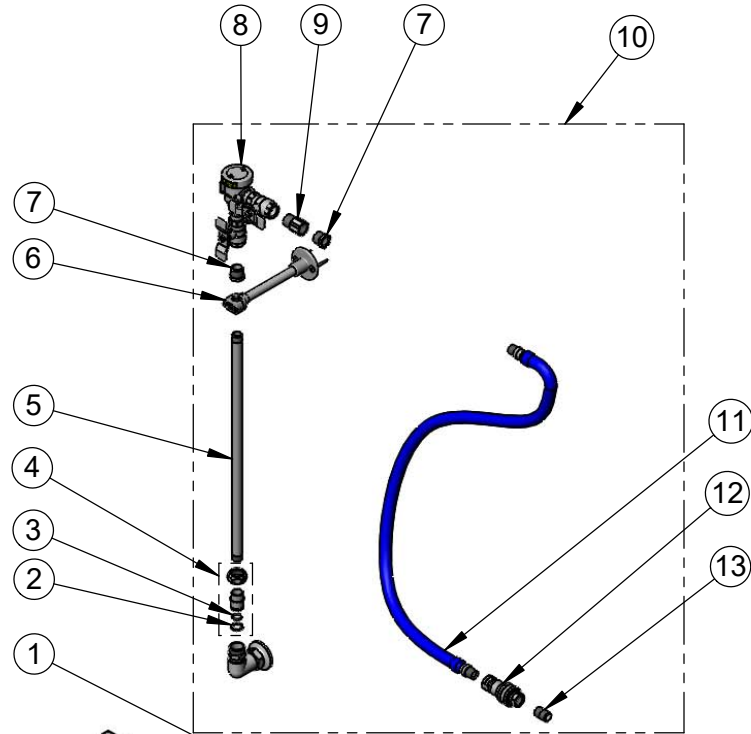
T&S BRASS AND BRONZE WORKS, INC.
 2 Saddleback Cove / P.O. Box 1088
 Travelers Rest, SC 29690

Model No.
B-7132-U03XS5

Item No.

Travelers Rest, SC: 800-476-4103 • Simi Valley, CA: 800-423-0150 • Fax: 864-834-3518 • www.tsbrass.com

ITEM NO.	SALES NO.	DESCRIPTION
1	B-2339-LR	Reel Control Cabinet w/ Control Valve, Dual Check Valves & Thermometer
2	014200-45	Star Washer, Anti-Rotation
3	001065-45	O-Ring
4	EZ-K	EasyInstall Kit: Nut, Bushing, O-Ring & Lock Washer
5	000369-40	3/8" NPT x 18" Riser
6	B-0109-01	6" Wall Bracket
7	001359-40	Hex Bushing, 1/2" NPT Male x 3/8" NPT Female
8	B-0963	Vacuum Breaker 1/2" NPT Female
9	015073-40	Check Valve w/ 1/2" NPT Adapter
10	0RK-SK	Hose Reel Connector Kit
11	HW-2B-36	3/8" NPT x 36" Flexible Water Hose
12	AW-5B	3/8" NPT Quick Disconnect
13	002535-25	3/8" Close Nipple
14	019652-40	3/8" NPT Live Swivel
15	MV-2516-34	7/16" Rear Trigger Spray Gun



Product Specifications:

Open Stainless Steel Hose Reel w/ 35' Hose, High Flow Water Gun w/ Swivel, Rinse Control Cabinet w/ Control Valve, Dual Check Valves, Thermometer, Water Hammer Arrestor & Hose Reel Connector Kit

Product Compliance:

ASSE 1010 (Arrestor)
 ASSE 1024 (VB)
 NSF 61 Exempt (Non-Potable)
 2019 DOE PRSV Non-Compliant
 ASSE 1056 (VB)