

This Space for Architect/Engineer Approval

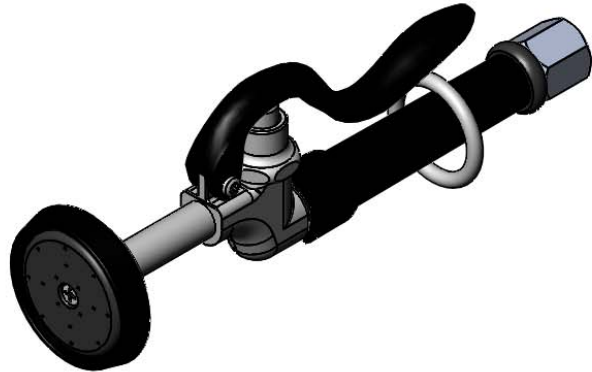
Job Name _____ Date _____

Model Specified _____ Quantity _____

Customer/Wholesaler _____

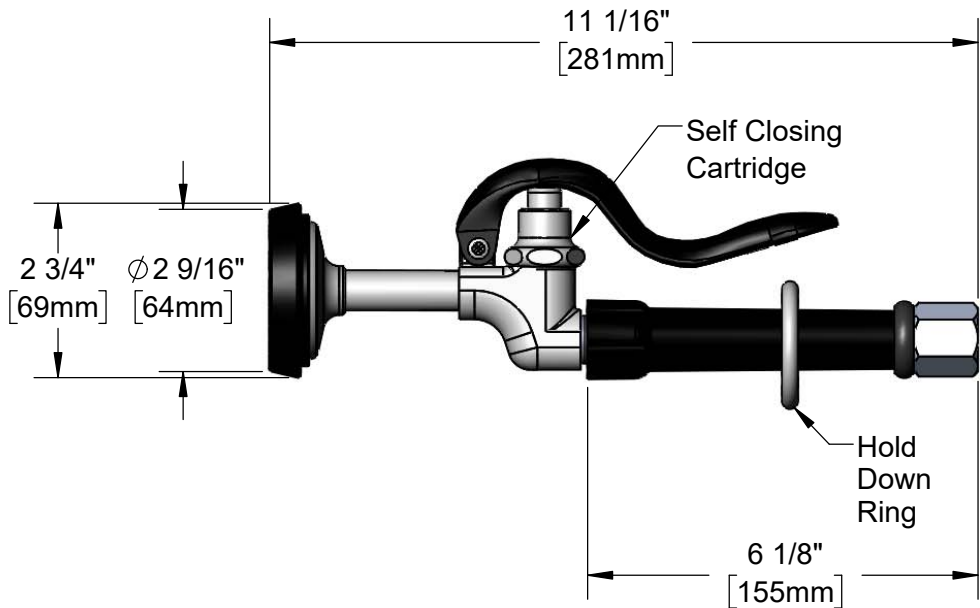
Contractor _____

Architect/Engineer _____



Black Rubber Bumper

Black Spray Face



Model Number

5SV-WH

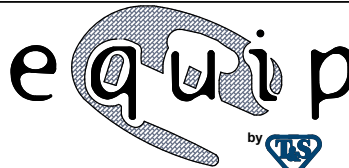
Product Specifications:

equip High Flow Black Spray Valve, Self-Closing Cartridge, Grip Handle and 1/2" NPT Female Inlet

Product Compliance:

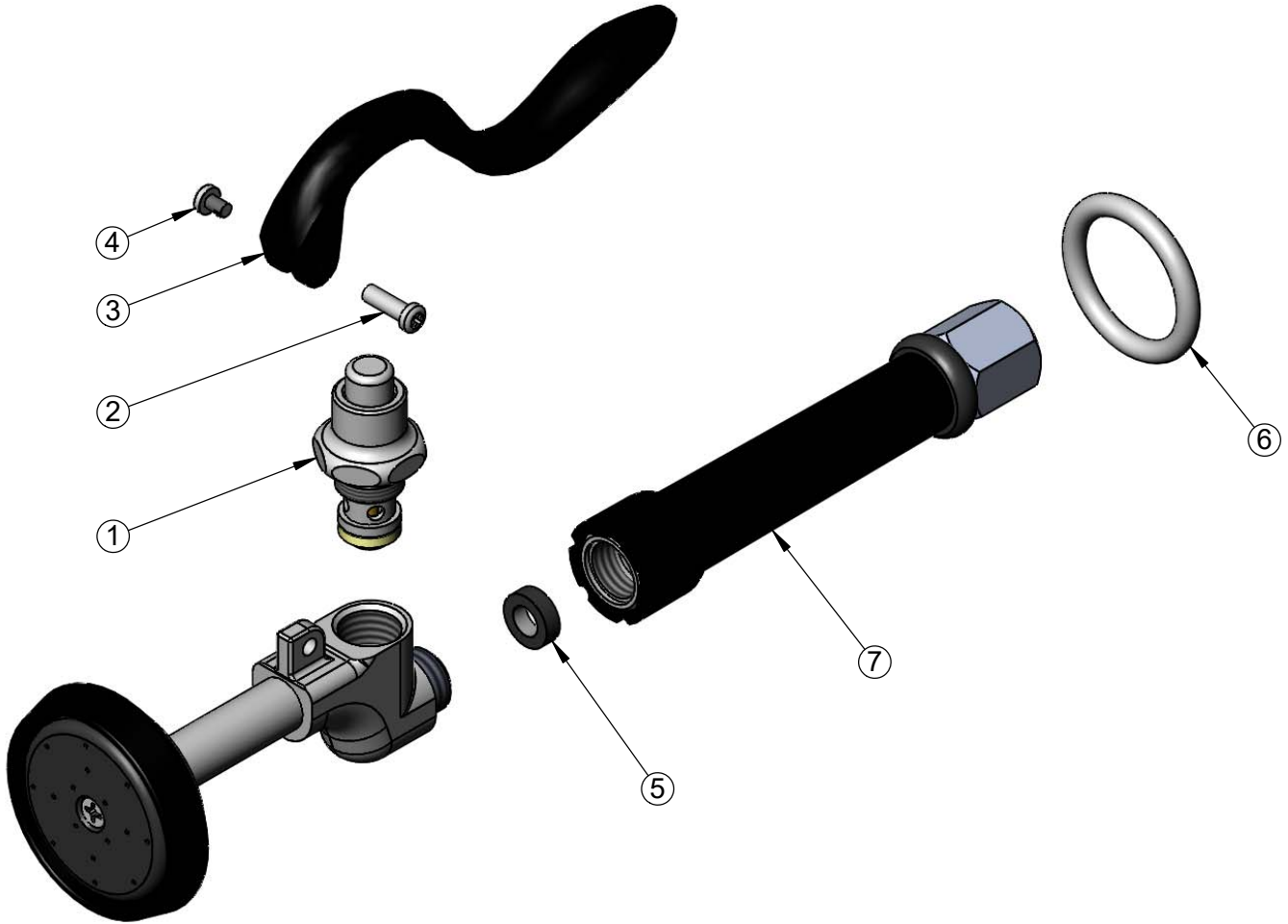
ASME A112.18.1 / CSA B125.1
 NSF 61 - Section 9
 NSF 372 (Low Lead Content)
 2019 DOE PRSV Non-Compliant
 Product Not Designed/Intended for
 Commercial Warewashing in North America

equip
 Foodservice
 Accessories



2 Saddleback Cove, P.O. Box 1088
 Travelers Rest, South Carolina 29690
 Phone: 800.891.4808 Fax: 800.868.0084
 equip.tsbrass.com

ITEM NO.	SALES NO.	DESCRIPTION
1	002856-40	Valve Bonnet
2	003198-45	Spray Valve Handle Nut
3	5SV-HDL	Spray Valve Handle
4	003199-45	Spray Valve Handle Screw
5	010476-45	#27 Washer
6	000907-45	Spray Valve Hold Down Ring
7	5HR-HDL	equip Hose Reel Grip Handle



Model Number

5SV-WH

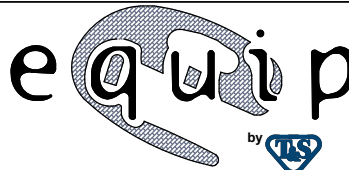
Product Specifications:

equip High Flow Black Spray Valve, Self-Closing Cartridge, Grip Handle and 1/2" NPT Female Inlet

Product Compliance:

ASME A112.18.1 / CSA B125.1
 NSF 61 - Section 9
 NSF 372 (Low Lead Content)
 2019 DOE PRSV Non-Compliant
 Product Not Designed/Intended for
 Commercial Warewashing in North America

equip
 Foodservice
 Accessories



2 Saddleback Cove, P.O. Box 1088
 Travelers Rest, South Carolina 29690
 Phone: 800.891.4808 Fax: 800.868.0084
 equip.tsbrass.com