

**ADA Compliant**

*This Space for Architect/Engineer Approval*

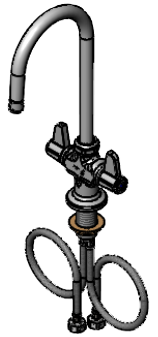
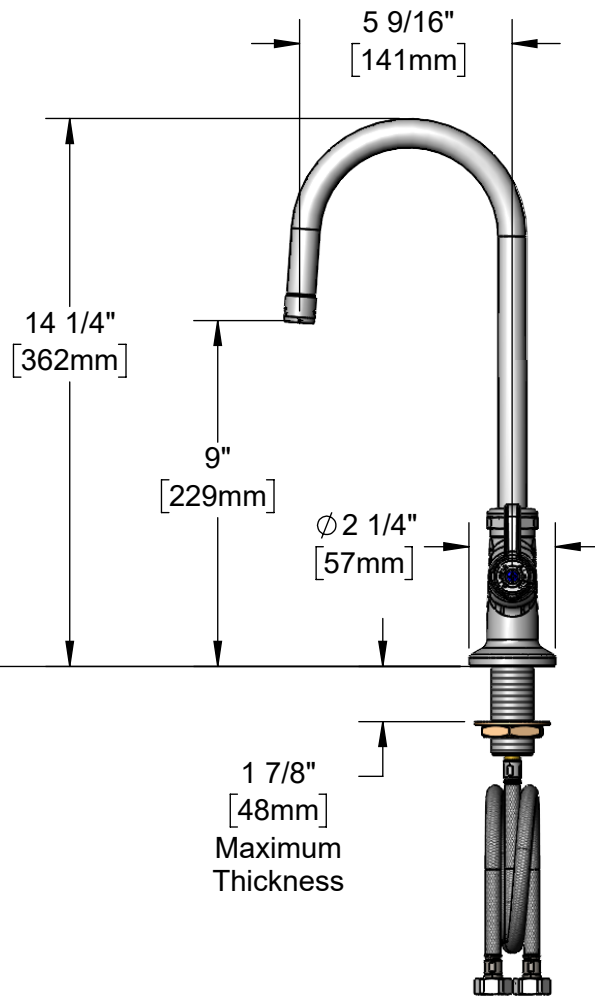
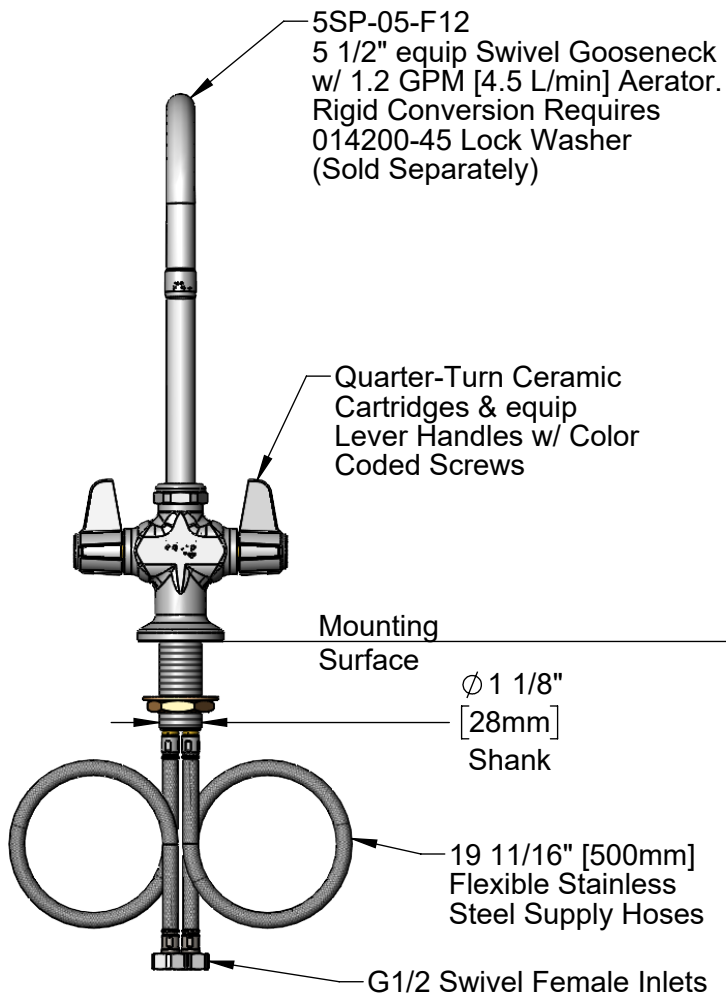
Job Name \_\_\_\_\_ Date \_\_\_\_\_

Model Specified \_\_\_\_\_ Quantity \_\_\_\_\_

Customer/Wholesaler \_\_\_\_\_

Contractor \_\_\_\_\_

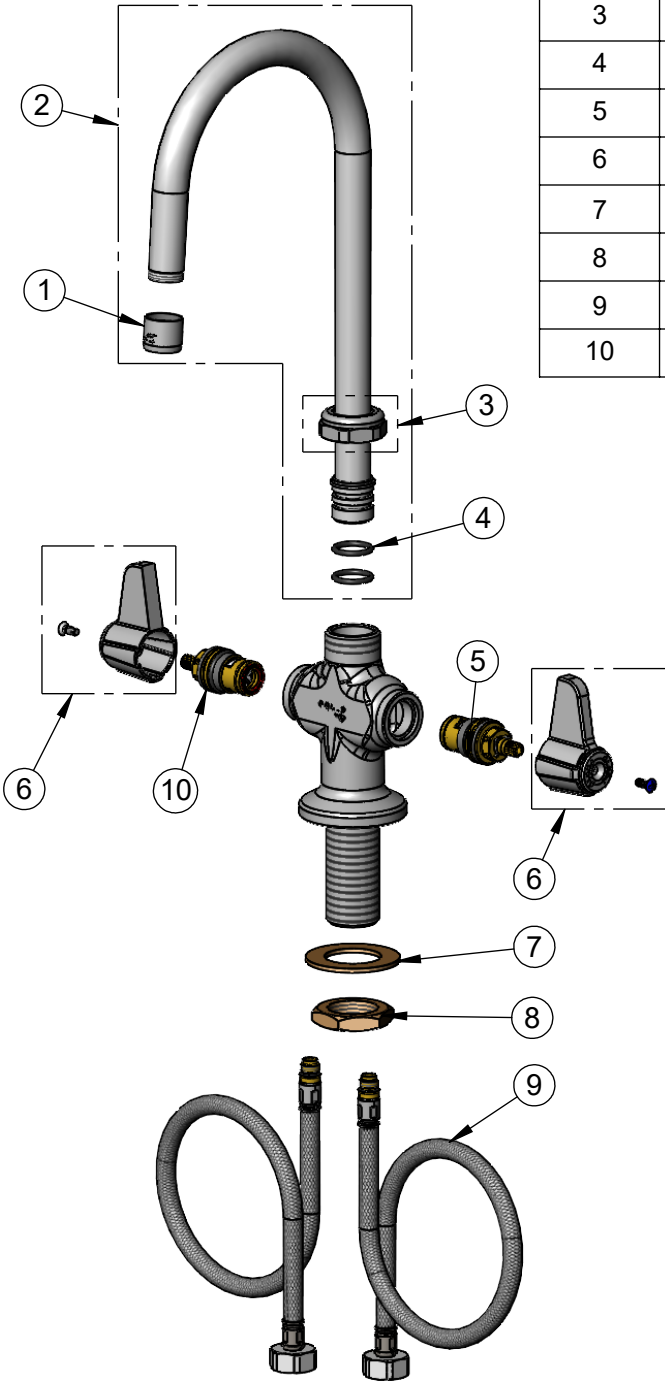
Architect/Engineer \_\_\_\_\_



Rough-In Requirement:  
Ø 1 1/2" [38mm] Mounting Hole

<p>Model Number</p> <p><b>5F-2SLF05F12</b></p>	<p>Product Specifications:</p> <p>Single Hole Deck Mount Mixing Faucet w/ Quarter-Turn Ceramic Cartridges, equip Lever Handles, 5 9/16" equip Swivel Gooseneck, 1.2 GPM Aerator, 19-11/16" Flexible Supply Hoses w/ G1/2 Female Swivel Inlets</p>				
<p>Product Compliance:</p> <p>ASME A112.18.1 / CSA B125.1 NSF 61 - Section 9 NSF 372 (Low Lead Content) ANSI A117.1 (ADA)</p>	<div style="display: flex; justify-content: space-between; align-items: center;"> <div data-bbox="600 1906 740 1980"> <p>equip Foodservice Accessories</p> </div> <div data-bbox="745 1858 1089 2032"> </div> <div data-bbox="1096 1894 1567 1995"> <p>2 Saddleback Cove, P.O. Box 1088 Travelers Rest, South Carolina 29690 Phone: 800.891.4808 Fax: 800.868.0084 equip.tsbrass.com</p> </div> </div>				
<p>Drawn: TRK</p>	<p>Checked: JRM</p>	<p>Approved: JHB</p>	<p>Date: 07/03/24</p>	<p>Scale: 1:5</p>	<p>Sheet: 1 of 2</p>

ITEM NO.	SALES NO.	DESCRIPTION
1	5F-F12	1.2 GPM Aerator, 3/4-27 UN Female
2	5SP-05-F12	5 1/2" equip Swivel Gooseneck, 1.2 GPM Aerator
3	013839-25	equip Swivel Nut
4	013848-45	O-Ring
5	013788-45	equip Quarter-Turn Ceramic Cartridge, LTC
6	5-HDL-L	equip Lever Handle w/ Color Coded Screws
7	002290-45	Lock Washer
8	000965-45	Lock Nut
9	012436-45DR	Flexible Connector Hose
10	013787-45	equip Quarter-Turn Ceramic Cartridge, RTC



Model Number

**5F-2SLF05F12**

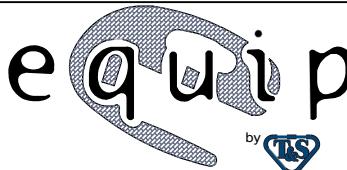
Product Specifications:

Single Hole Deck Mount Mixing Faucet w/ Quarter-Turn Ceramic Cartridges, equip Lever Handles, 5 9/16" equip Swivel Gooseneck, 1.2 GPM Aerator, 19-11/16" Flexible Supply Hoses w/ G1/2 Female Swivel Inlets

Product Compliance:

ASME A112.18.1 / CSA B125.1  
NSF 61 - Section 9  
NSF 372 (Low Lead Content)  
ANSI A117.1 (ADA)

equip  
Foodservice  
Accessories



2 Saddleback Cove, P.O. Box 1088  
Travelers Rest, South Carolina 29690  
Phone: 800.891.4808 Fax: 800.868.0084  
equip.tsbrass.com