



Architect/Engineering Specifications:

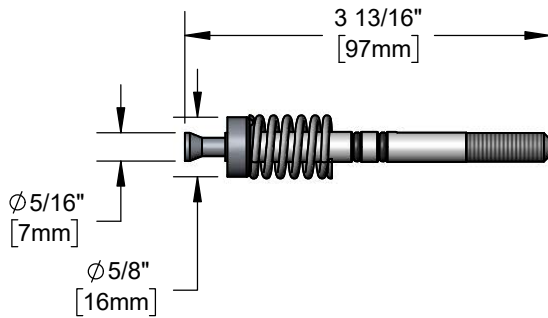
Front trigger water gun repair kit. 5/16" and 7/16" orifice.

Job Name _____

Model Specified _____ Quantity _____

Variations Specified _____

Date _____



Features & Benefits:

- Front trigger water gun repair kit
- 5/16" and 7/16" orifice
- Adapter o-ring included
- Material: Stainless steel

Product Compliance:

- N/A

Warranty: One Year (Limited)

Performance Data:

- N/A

