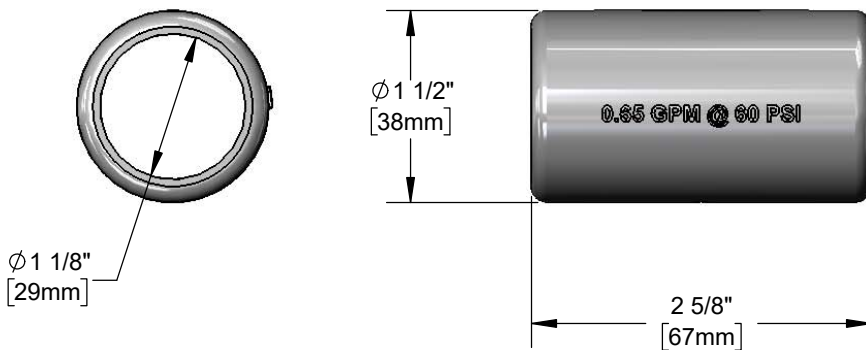




Architect/Engineering Specifications:

0.65 GPM gray shield and bumper guard for B-0107-C spray valve.

Job Name _____
 Model Specified _____ Quantity _____
 Variations Specified _____
 Date _____



Features & Benefits:

- 0.65 GPM gray shield and bumper guard for B-107-C spray valve
- Material: Rubber

Product Compliance:

- N/A

Warranty: One Year (Limited)

Performance Data:

- N/A

