



Architect/Engineering Specifications:

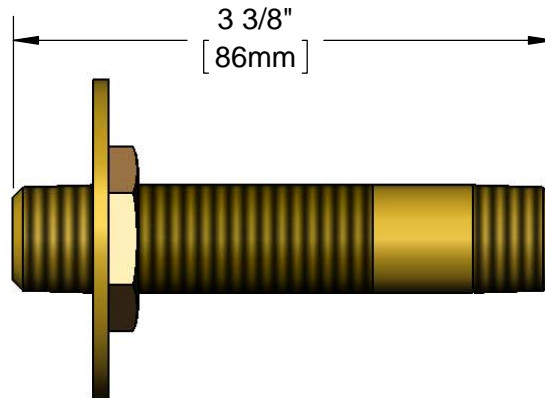
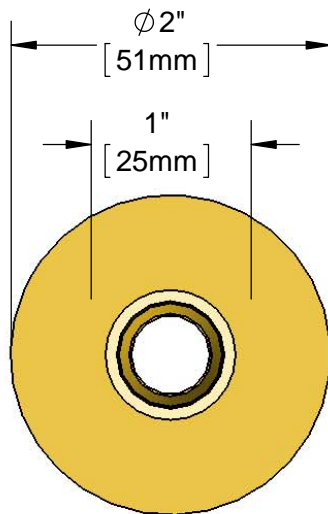
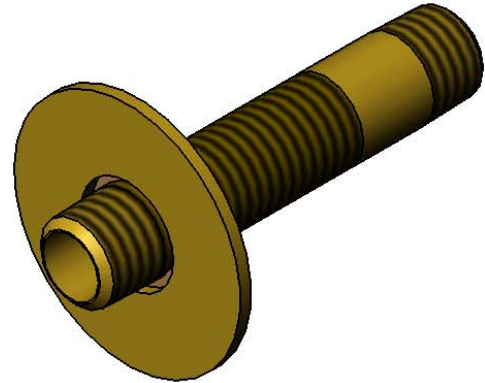
3/8" NPT inlet and 3/8" NPSL nipple with 3/8" x ϕ 2" lock Wwasher and 3/8" locknut. Certified to ASME A112.18.1/CSA B125.1, NSF 61-Section 9 and NSF 372.

Job Name _____

Model Specified _____ Quantity _____

Variations Specified _____

Date _____



Features & Benefits:

- 3/8" NPT inlet and 3/8" NPSL nipple
- 3/8" x ϕ 2" Lock washer
- 3/8" Locknut
- Material: Brass

Product Compliance:

- ASME A112.18.1 / CSA B125.1
- NSF 61 - Section 9
- NSF 372 (Low Lead Content)



Warranty: One Year (Limited)

Performance Data:

- Pressure: 20 - 125 psi
- Temperature: 40°F - 140°F
- Flow Rate: 52.30 GPM @ 60 psi

