

*This Space for Architect/Engineer Approval*

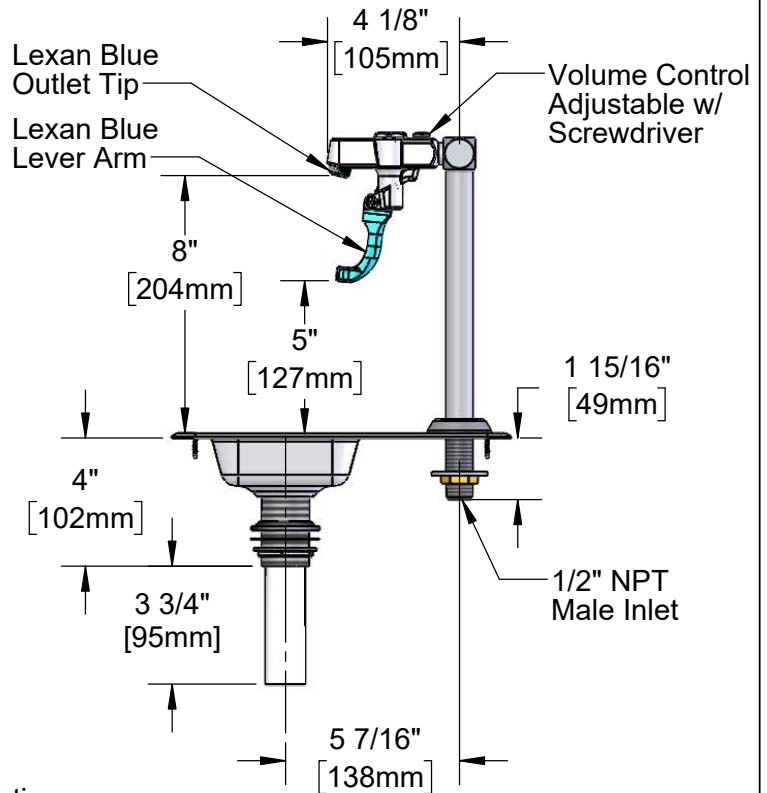
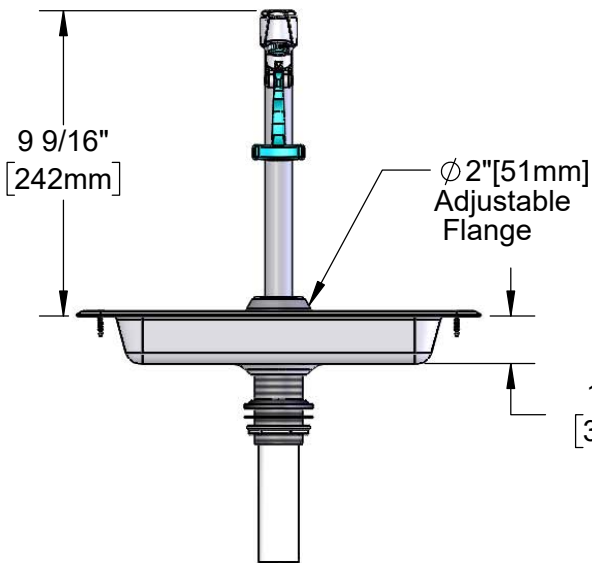
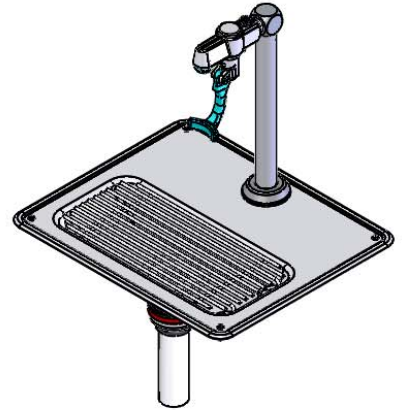
Job Name \_\_\_\_\_ Date \_\_\_\_\_

Model Specified \_\_\_\_\_ Quantity \_\_\_\_\_

Customer/Wholesaler \_\_\_\_\_

Contractor \_\_\_\_\_

Architect/Engineer \_\_\_\_\_



- Note:**
- 18 Gauge Stainless Steel Pan w/ Beaded Edge. Supplied w/ Mastic & Stainless Steel Screws for Mounting.
  - Suggested Cut-Out Size for Pan is 10-1/2" x 5". Customer to Verify Actual Cut Out Needed Prior to Installation.

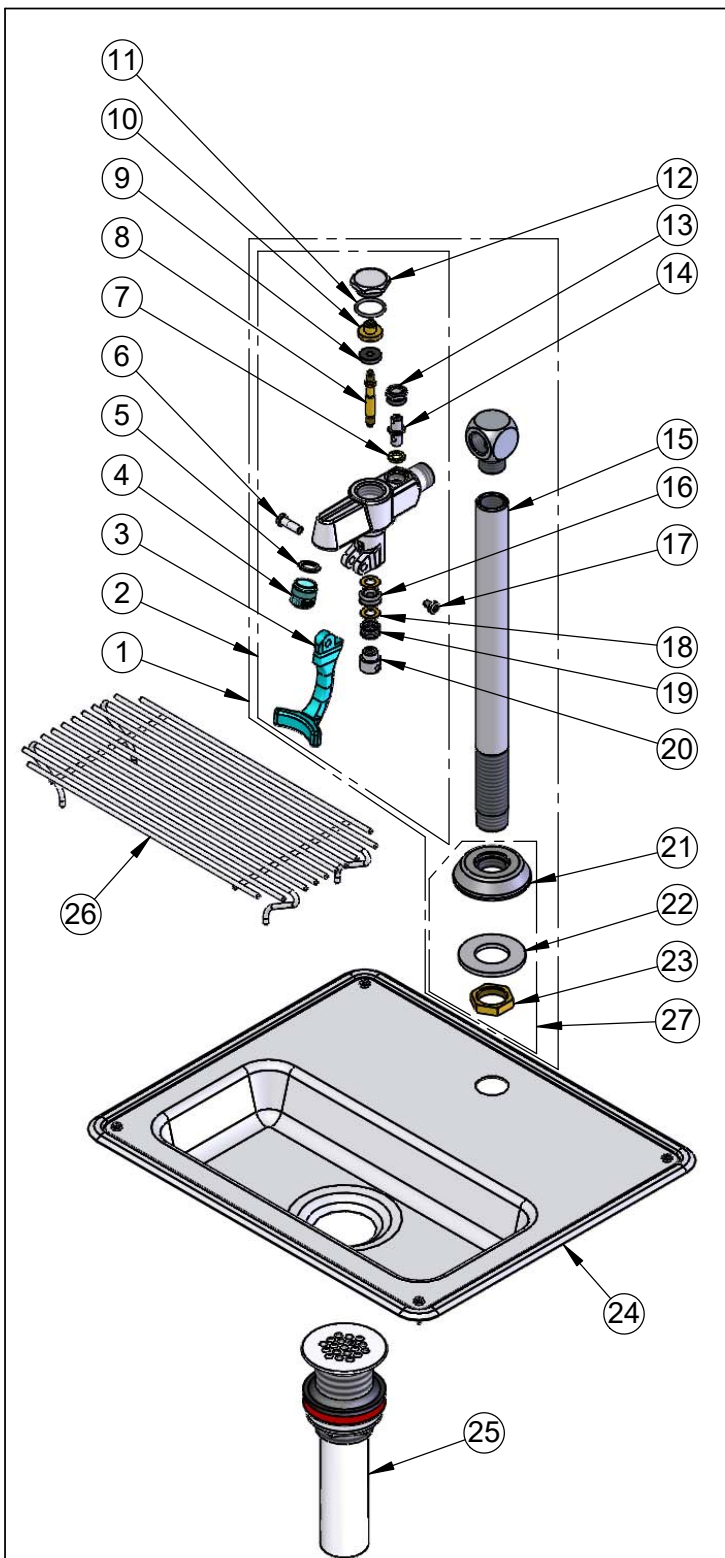
Model Number  
**5GF-8P-WS**

Product Specifications:  
**Water Station w/ 8" Pedestal Type Retro Glass Filler, 18 Gauge Stainless Steel Drip Pan, 1/4" Tailpiece for Copper Tubing & 1-1/4" Drain**

Product Compliance:  
ASME A112.18.1 / CSA B125.1  
NSF 61 - Section 9  
NSF 372 (Low Lead Content)  
ANSI A117.1 (ADA)

equip  
Foodservice  
Accessories

2 Saddleback Cove, P.O. Box 1088  
Travelers Rest, South Carolina 29690  
Phone: 800.891.4808 Fax: 800.868.0084  
equip.tsbrass.com



| ITEM NO. | SALES NO. | DESCRIPTION                             |
|----------|-----------|---|
| 1        | 5GF-8P    | Pedestal Glass Filler                   |
| 2        | 5GF-W     | Wall Mount Glass Filler                 |
| 3        | 001145-45 | Lever Arm, Retro Glass Filler           |
| 4        | 003090-45 | Outlet Tip, Retro Glass Filler          |
| 5        | 001030-45 | Washer, Retro Glass Filler Outlet       |
| 6        | 003198-45 | Spray Valve Handle Nut                  |
| 7        | 001031-45 | Washer, Volume Control                  |
| 8        | 000826-20 | Stem                                    |
| 9        | 001094-45 | Seat Washer                             |
| 10       | 000664-20 | Seat Washer Holder                      |
| 11       | 001062-45 | O-Ring                                  |
| 12       | 000623-40 | Hex Cap                                 |
| 13       | 000714-25 | Nut, Retro Glass Filler Volume Control  |
| 14       | 000834-25 | Stem, Retro Glass Filler Volume Control |
| 15       | 000425-40 | Pedestal                                |
| 16       | 001100-45 | Packing Seal                            |
| 17       | 003199-45 | Spray Valve Handle Screw                |
| 18       | 000974-45 | Bonnet Washer                           |
| 19       | 000895-45 | Spring                                  |
| 20       | 000752-25 | Push Button, Retro Glass Filler         |
| 21       | 000024-40 | Adjustable Deck Flange                  |
| 22       | 001033-45 | Pedestal Washer                         |
| 23       | 002954-45 | Shank Lock Nut                          |
| 24       | 010123-45 | Drip Pan                                |
| 25       | 010126-45 | Drip Pan Drain                          |
| 26       | 183F      | Drip Pan Grid                           |
| 27       | 016783-40 | Adjustable Deck Flange Repair Kit       |

Model Number  
**5GF-8P-WS**

Product Compliance:  
ASME A112.18.1 / CSA B125.1  
NSF 61 - Section 9  
NSF 372 (Low Lead Content)  
ANSI A117.1 (ADA)

Product Specifications:  
Water Station w/ 8" Pedestal Type Retro Glass Filler, 18 Gauge Stainless Steel Drip Pan, 1/4" Tailpiece for Copper Tubing & 1-1/4" Drain

equip  
Foodservice  
Accessories



2 Saddleback Cove, P.O. Box 1088  
Travelers Rest, South Carolina 29690  
Phone: 800.891.4808 Fax: 800.868.0084  
equip.tsbrass.com