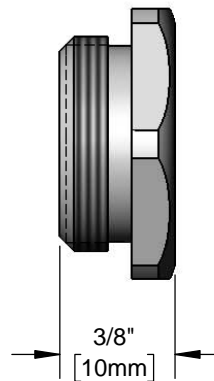
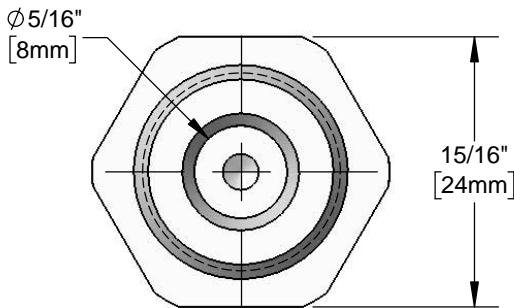
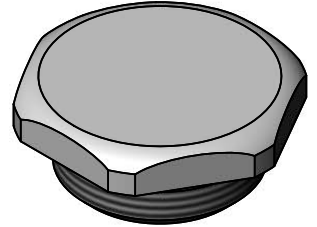




Architect/Engineering Specifications:

Polished chrome plated hex cap for T&S spray valve with 3/4-20 male thread.

Job Name _____
 Model Specified _____ Quantity _____
 Variations Specified _____
 Date _____



Features & Benefits:

- Hex cap for T&S spray valve
- 3/4-20 male thread
- Material: Polished chrome plated brass

Product Compliance:

- N/A

Warranty: One Year (Limited)

Performance Data:

- N/A

