



T&S BRASS AND BRONZE WORKS, INC.
 2 Saddleback Cove / P.O. Box 1088
 Travelers Rest, SC 29690

Model No.
B-0024-H

Item No.

Travelers Rest, SC: 800-476-4103 • Simi Valley, CA: 800-423-0150 • Fax: 864-834-3518 • www.tsbrass.com

This Space for Architect/Engineer Approval

Job Name _____ Date _____

Model Specified _____ Quantity _____

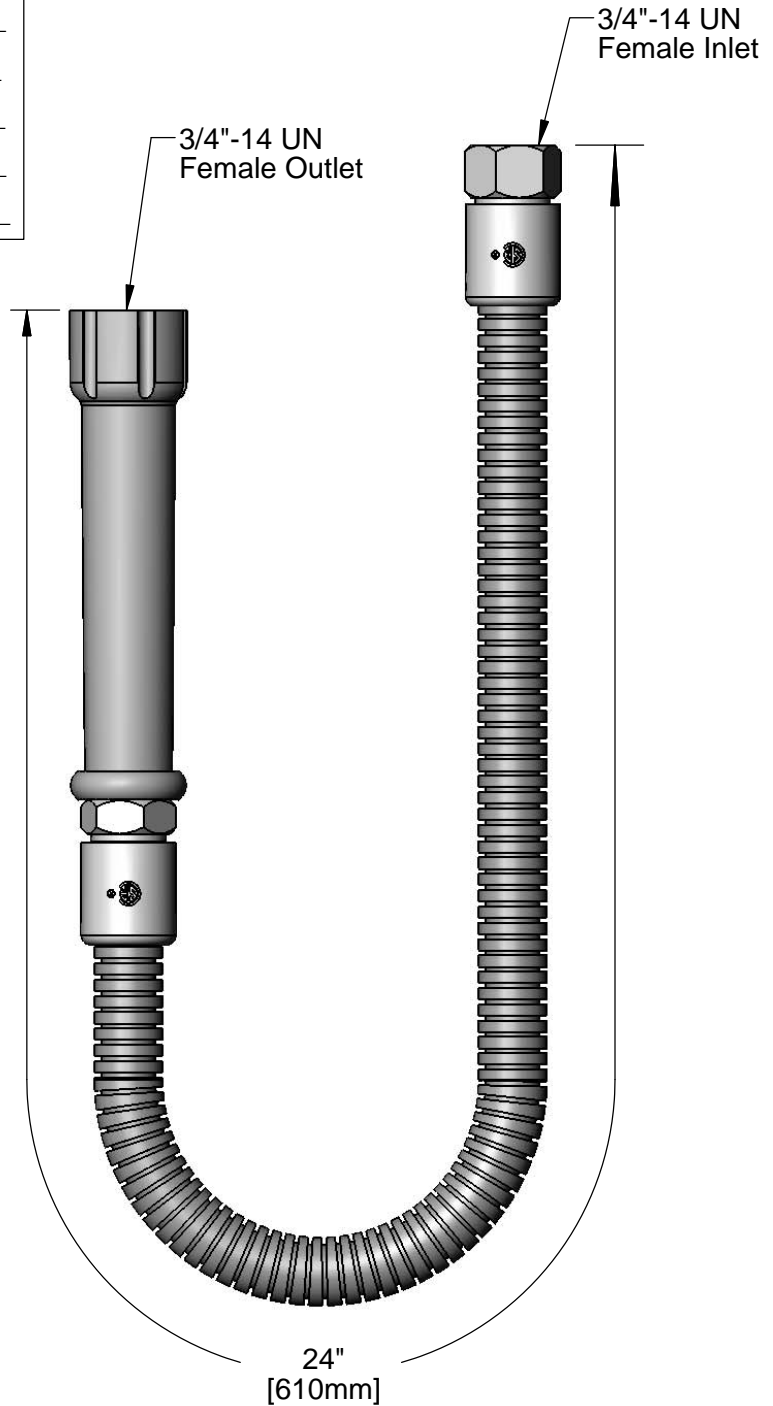
Customer/Wholesaler _____

Contractor _____

Architect/Engineer _____



(2) 010476-45
 Washers
 (Included)



Product Specifications:
 24" Flexible Stainless Steel Hose w/ Gray Handle & Polyurethane
 Inner Hose

Drawn
KJG

Checked
DMH

Approved
JHB

Scale:
1:2

Date:
11/15/13



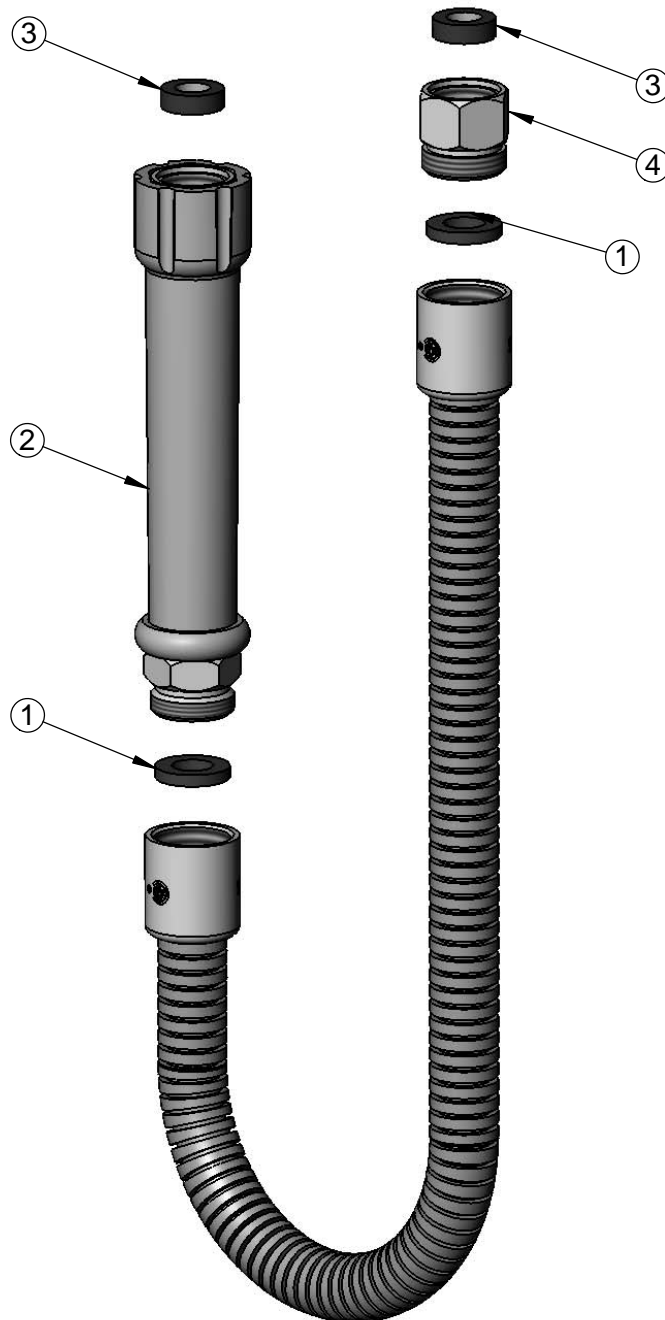
T&S BRASS AND BRONZE WORKS, INC.
2 Saddleback Cove / P.O. Box 1088
Travelers Rest, SC 29690

Model No.
B-0024-H

Item No.

Travelers Rest, SC: 800-476-4103 • Simi Valley, CA: 800-423-0150 • Fax: 864-834-3518 • www.tsbrass.com

ITEM NO.	SALES NO.	DESCRIPTION
1	001014-45	Washer, B-0100 Hose Barrel
2	002987-40	Grip Handle
3	010476-45	#27 Washer
4	000729-40	Nut, 7/8"-20 Male x 3/4"-14 Female



Product Specifications:
24" Flexible Stainless Steel Hose w/ Gray Handle & Polyurethane Inner Hose

Drawn KJG	Checked DMH	Approved JHB
Scale: NTS		Date: 11/15/13