



T&S BRASS AND BRONZE WORKS, INC.

2 Saddleback Cove / P.O. Box 1088
Travelers Rest, SC 29690

Model No.

BF-035A

Item No.

Travelers Rest, SC: 800-476-4103 • Simi Valley, CA: 800-423-0150 • Fax: 864-834-3518 • www.tsbrass.com

This Space for Architect/Engineer Approval

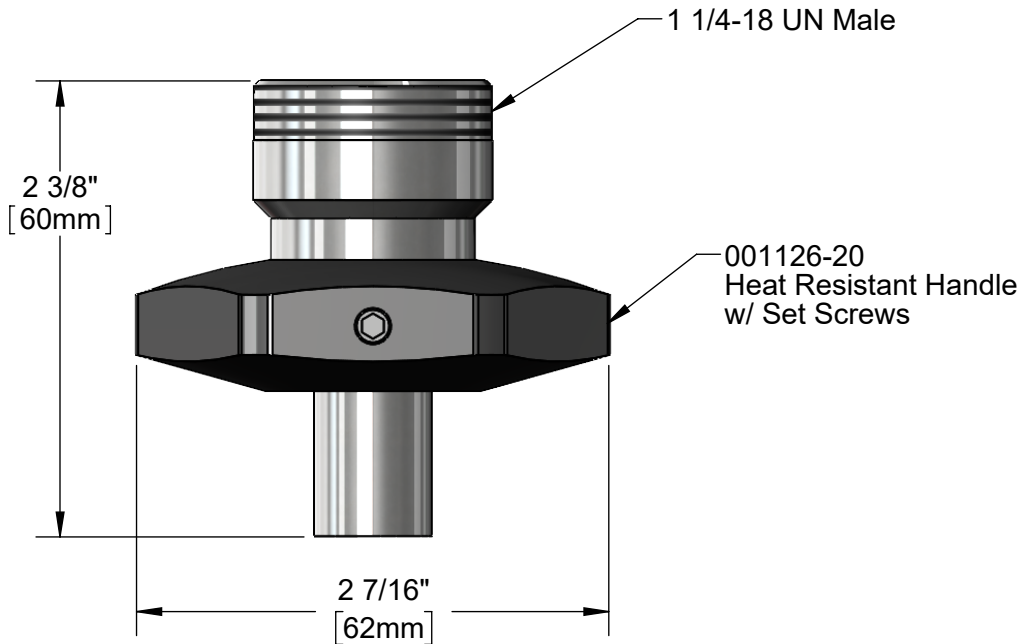
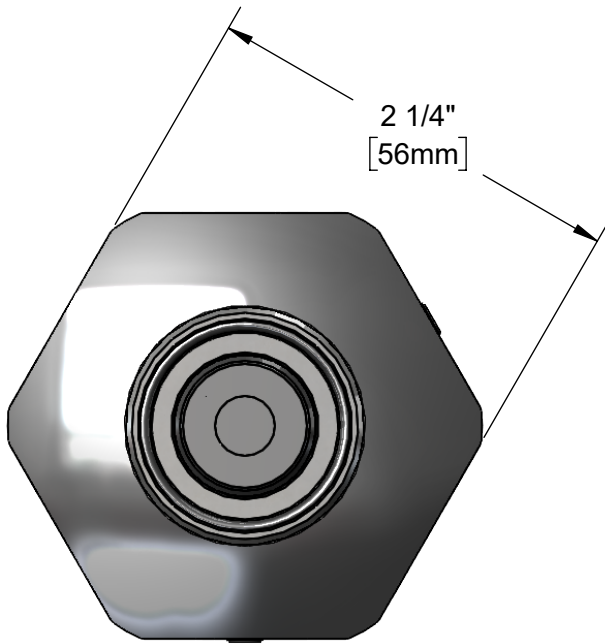
Job Name _____ Date _____

Model Specified _____ Quantity _____

Customer/Wholesaler _____

Contractor _____

Architect/Engineer _____



Product Specifications:
Big-Flo On-Off Flow Control w/ Heat Resistant Handle

Product Compliance:
NSF 61 - Section 9
NSF 372 (Low Lead Content)



T&S BRASS AND BRONZE WORKS, INC.

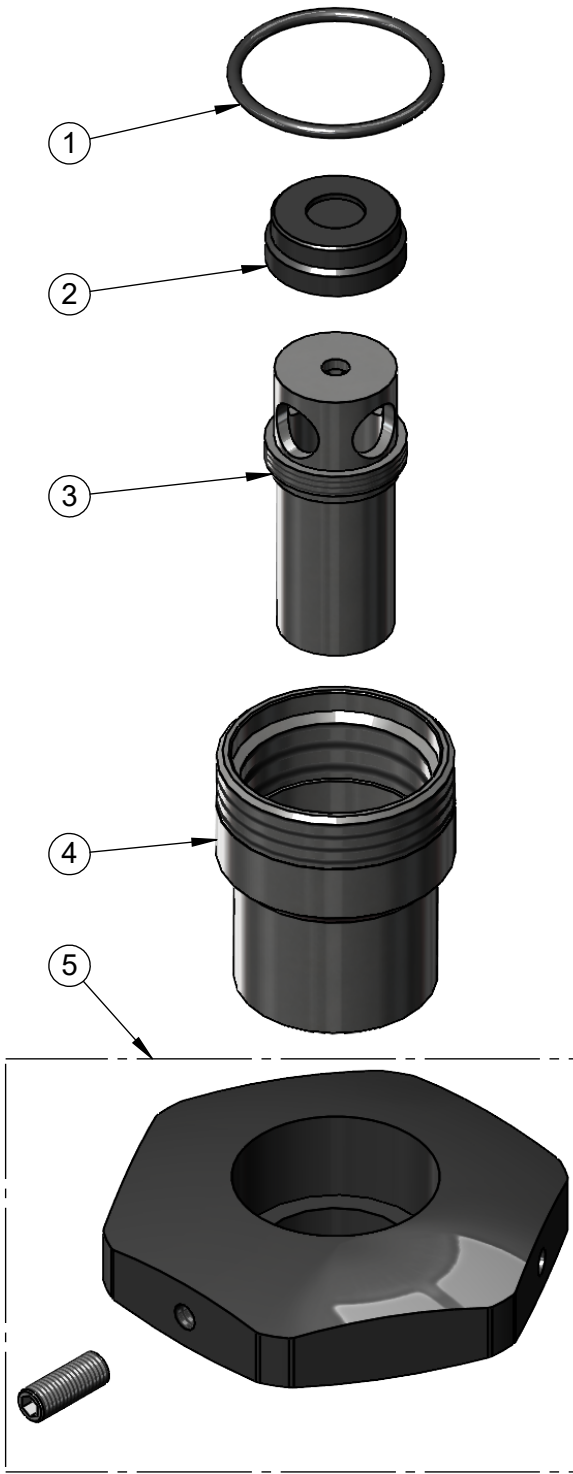
2 Saddleback Cove / P.O. Box 1088
Travelers Rest, SC 29690

Model No.

BF-035A

Item No.

Travelers Rest, SC: 800-476-4103 • Simi Valley, CA: 800-423-0150 • Fax: 864-834-3518 • www.tsbrass.com



ITEM NO.	SALES NO.	DESCRIPTION
1	129F	O-Ring
2	001089-45	Seal
3	001498-25	Spout
4	021070-25	BF-0592 Spout Body
5	001126-20	Black Handle w/ Set Screws
6	000936-45	Handle Set Screw

Product Specifications:
Big-Flo On-Off Flow Control w/ Heat Resistant Handle

Product Compliance:
NSF 61 - Section 9
NSF 372 (Low Lead Content)