



# T&S BRASS AND BRONZE WORKS, INC.

2 Saddleback Cove / P.O. Box 1088  
Travelers Rest, SC 29690

Model No.

**019969-45TL**

Item No.

Travelers Rest, SC: 800-476-4103 • Simi Valley, CA: 800-423-0150 • Fax: 864-834-3518 • www.tsbrass.com

This Space for Architect/Engineer Approval

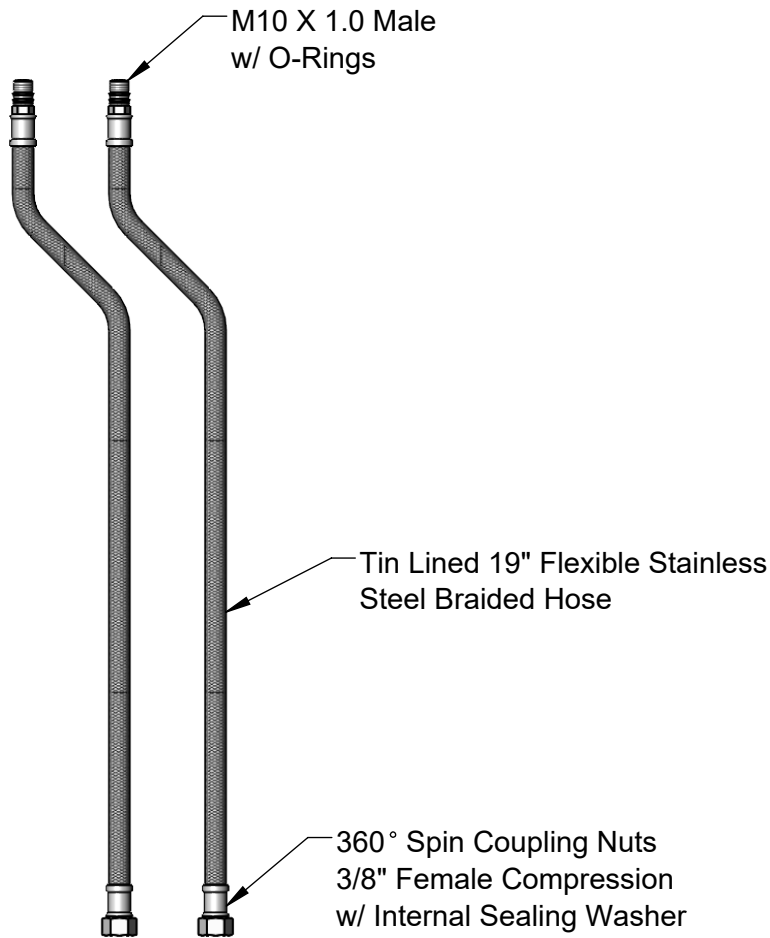
Job Name \_\_\_\_\_ Date \_\_\_\_\_

Model Specified \_\_\_\_\_ Quantity \_\_\_\_\_

Customer/Wholesaler \_\_\_\_\_

Contractor \_\_\_\_\_

Architect/Engineer \_\_\_\_\_



**Product Specifications:**

Tin Lined 19" Flexible Stainless Steel Supply Inlet Hoses w/ 3/8" Compression Connection (2 Pack)

**Product Compliance:**

NSF 372 (Low Lead Content)

Drawn: JMD

Checked: JRM

Approved: JHB

Date: 11/15/23

Scale: 1:4

Sheet: 1 of 1