



T&S BRASS AND BRONZE WORKS, INC.
 2 Saddleback Cove / P.O. Box 1088
 Travelers Rest, SC 29690

Model No.
EC-3130-LF22

Item No.

Travelers Rest, SC: 800-476-4103 • Simi Valley, CA: 800-423-0150 • Fax: 864-834-3518 • www.tsbrass.com



ADA Compliant



This Space for Architect/Engineer Approval

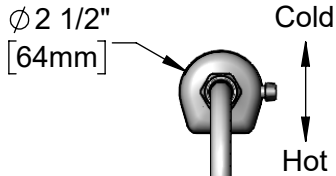
Job Name _____ Date _____

Model Specified _____ Quantity _____

Customer/Wholesaler _____

Contractor _____

Architect/Engineer _____



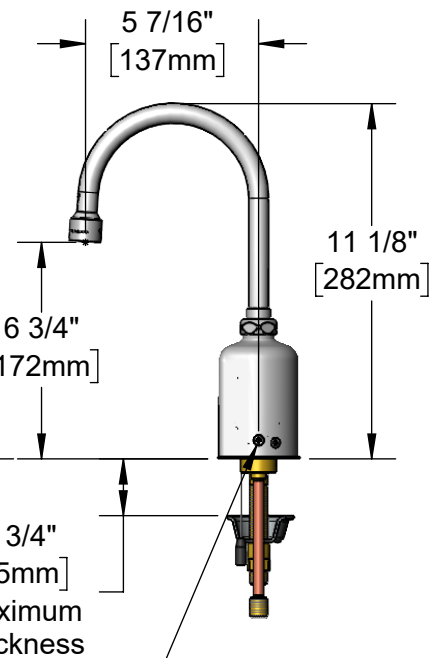
Swivel Gooseneck w/
 B-0199-21-VRF
 VR 2.2 GPM Laminar Flow
 Device. Rigid Conversion
 Requires 014200-45 Lock
 Washer (Included)

Internal Above Deck
 Electronics w/ Flow
 Control Setting Switches.
 Powered w/ 6 VDC
 Lithium Battery

Removable
 Anti-Rotation Pin

Temperature Mixing Handle
 w/ Color Coded Index
 (Optional Plug Included to
 Replace Handle When
 Temperature is Preset)

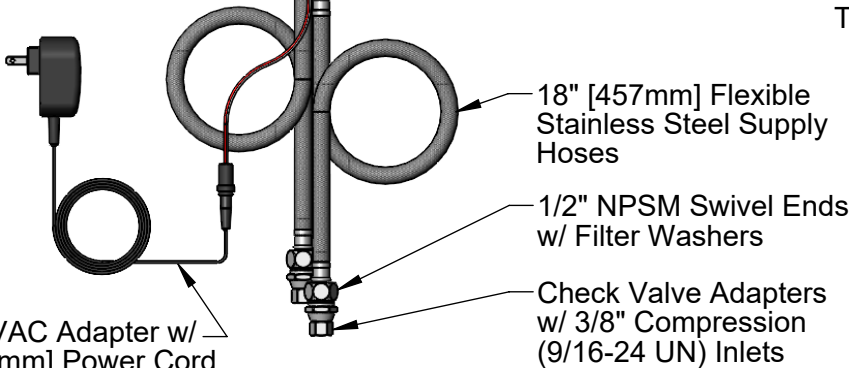
Mounting Surface



13/16"
 [21mm]

1 3/4"
 [45mm]
 Maximum
 Thickness

Shown w/ Optional
 Plug Installed When
 Water Temperature
 is Preset (Included)



100-240 VAC Adapter w/
 72" [1830mm] Power Cord

Rough-In Requirement:
 Ø 1 1/4" [32mm] Mounting Hole
 Ø 3/16" [5mm] Anti-Rotation Pin Hole (Optional)

Product Specifications:
 Chrome Plated Brass Above Deck Electronics Faucet, Single Hole Deck
 Mount, Swivel Gooseneck w/ VR 2.2 GPM Laminar Flow Device, Point-of-Use
 Temperature Control, Battery or AC Adapter Powered, Flexible Stainless Steel
 Supply Hoses w/ 3/8" Compression Fittings

Product Compliance:
 ASME A112.18.1 / CSA B125.1
 NSF 61 - Section 9
 NSF 372 (Low Lead Content)
 ANSI A117.1 (ADA)
 UL 1951



T&S BRASS AND BRONZE WORKS, INC.

2 Saddleback Cove / P.O. Box 1088
Travelers Rest, SC 29690

Model No.

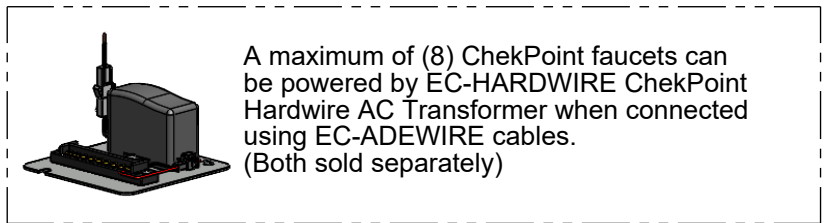
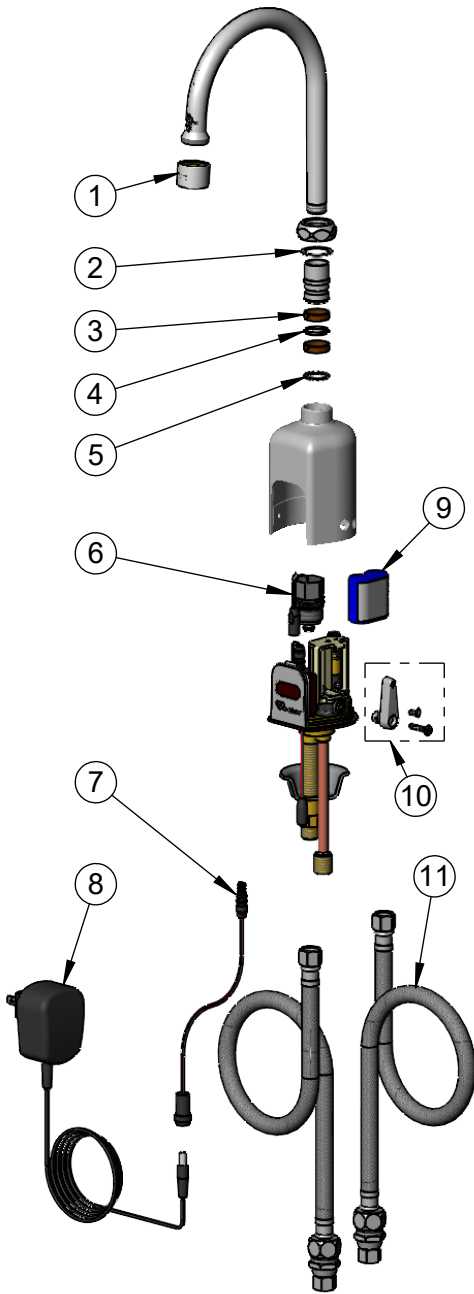
EC-3130-LF22

Item No.

Travelers Rest, SC: 800-476-4103 • Simi Valley, CA: 800-423-0150 • Fax: 864-834-3518 • www.tsbrass.com

ITEM NO.	SALES NO.	DESCRIPTION
1	B-0199-21-VRF	VR 2.2 GPM Laminar Flow Device, 55/64-27 UN Female w/ Key
2	009538-45	Swivel Washer
3	011429-45	Swivel Sleeves (2)
4	001074-45	O-Ring
5	014200-45	Star Washer, Anti-Rotation
6	020330-45	Solenoid Valve, M22 x 2 Male Thd
* 7	020417-45	Aux. Power Connector Cable
* 8	5EF-0002C	AC Adapter - US Plug
9	019087-45	6VDC Lithium Battery, CR-P2
* 10	020270-45	Lever & Body Screw Kit w/ L-Key
11	018544-45	SS Flex Hose w/ Check Valve Adapter
* 12	020426-40	Body Plug, Pre-Set Temperature

* For Versions Prior to 2024, Consult with T&S Customer Service



Flow Control Switches are Located Behind the Sensor. Switches are set to DEFAULT position:

- Auto Time Out = 15 seconds
- Shut Off Delay = 1 second
- Auto Flush = OFF
- Metering Mode = OFF

Available Water Flow Control Selections:

- Auto Time Out: 15 sec, 30 sec, 45 sec, 60 sec, 3 min, 20 min
- Shut Off Delay: 1 sec, 10 sec, 15 sec, 30 sec
- Auto Flush (30 Seconds After Every 12 Inactive Hours): ON or OFF
- Metering Mode = ON or OFF

Product Specifications:

Chrome Plated Brass Above Deck Electronics Faucet, Single Hole Deck Mount, Swivel Gooseneck w/ VR 2.2 GPM Laminar Flow Device, Point-of-Use Temperature Control, Battery or AC Adapter Powered, Flexible Stainless Steel Supply Hoses w/ 3/8" Compression Fittings

Product Compliance:

ASME A112.18.1 / CSA B125.1
NSF 61 - Section 9
NSF 372 (Low Lead Content)
ANSI A117.1 (ADA)
UL 1951