

ADA Compliant

This Space for Architect/Engineer Approval

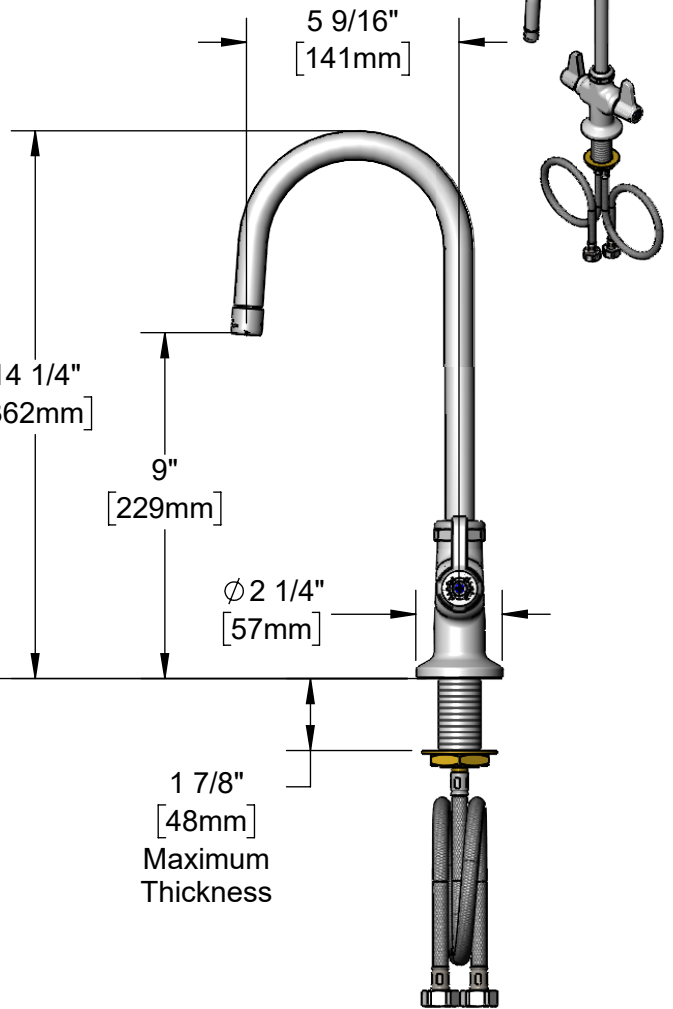
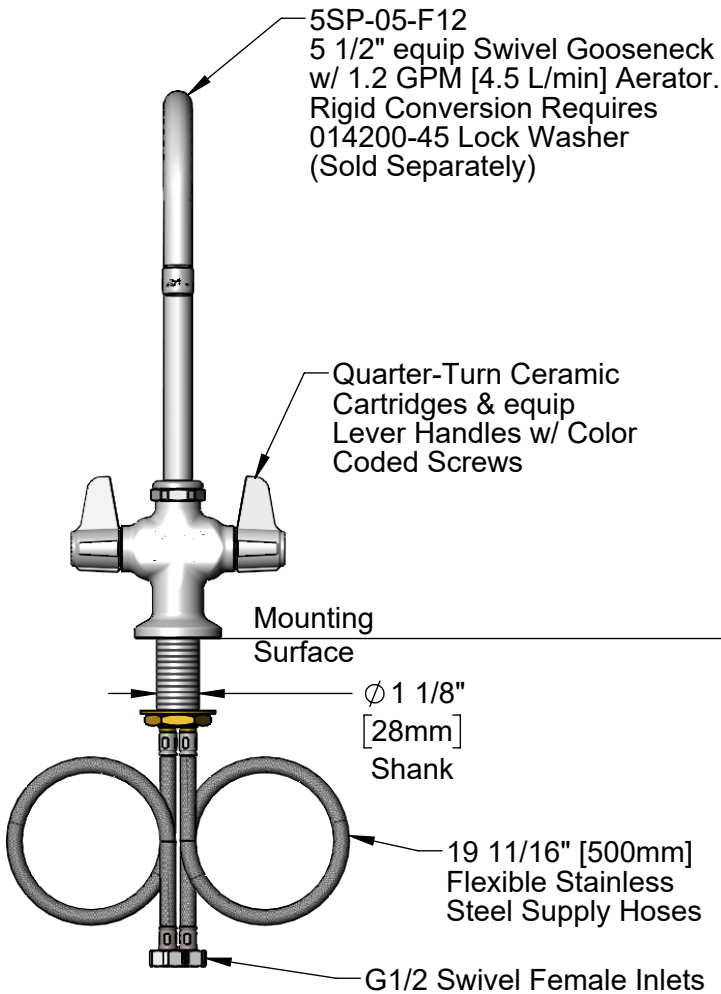
Job Name _____ Date _____

Model Specified _____ Quantity _____

Customer/Wholesaler _____

Contractor _____

Architect/Engineer _____



Rough-In Requirement:
Ø 1 1/2" [38mm] Mounting Hole

Model Number
5F-2SLF05F12

Product Specifications:
Single Hole Deck Mount Mixing Faucet w/ Quarter-Turn Ceramic Cartridges,
equip Lever Handles, 5 9/16" equip Swivel Gooseneck, 1.2 GPM Aerator,
19-11/16" Flexible Supply Hoses w/ G1/2 Female Swivel Inlets

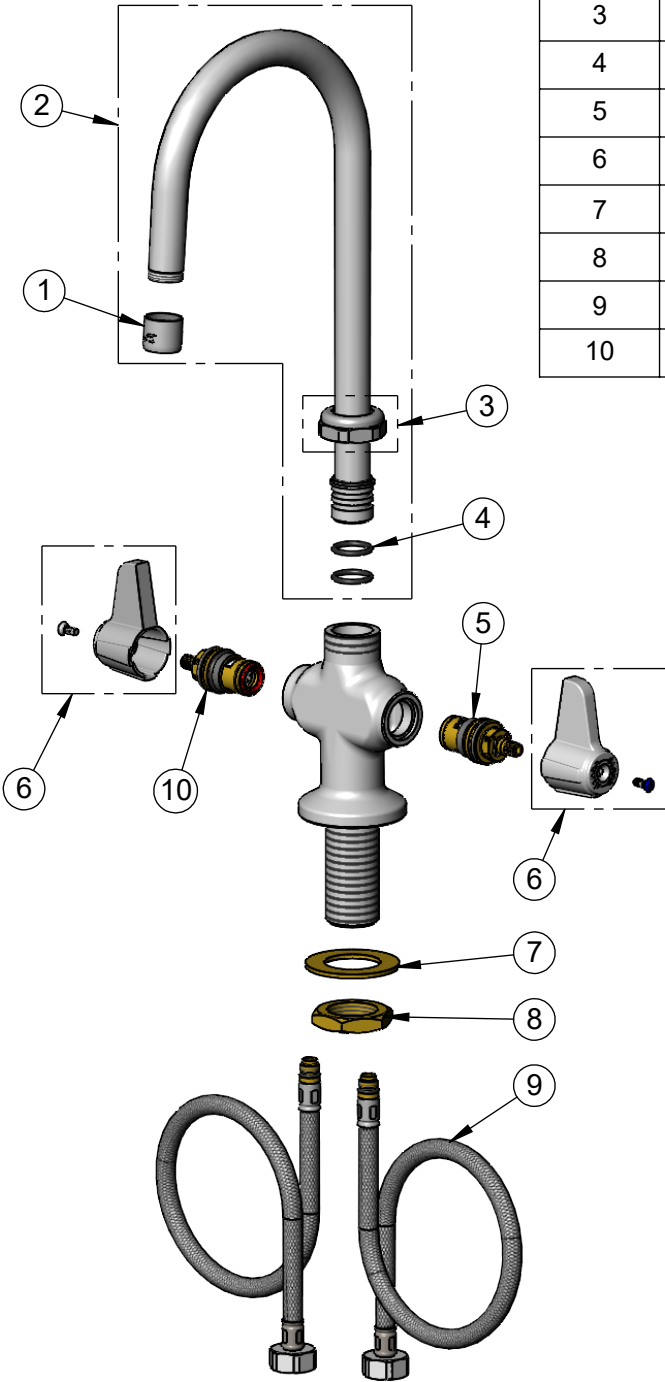
Product Compliance:
ASME A112.18.1 / CSA B125.1
NSF 61 - Section 9
NSF 372 (Low Lead Content)
ANSI A117.1 (ADA)

equip
Foodservice
Accessories

by

2 Saddleback Cove, P.O. Box 1088
Travelers Rest, South Carolina 29690
Phone: 800.891.4808 Fax: 800.868.0084
equip.tsbrass.com

ITEM NO.	SALES NO.	DESCRIPTION
1	5F-F12	1.2 GPM Aerator, 3/4-27 UN Female
2	5SP-05-F12	5 1/2" equip Swivel Gooseneck, 1.2 GPM Aerator
3	013839-25	equip Swivel Nut
4	001065-45	O-Ring
5	013788-45	equip Quarter-Turn Ceramic Cartridge, LTC
6	5-HDL-L	equip Lever Handle w/ Color Coded Screws
7	002290-45	Lock Washer
8	000965-45	Lock Nut
9	012436-45DR	Flexible Connector Hose
10	013787-45	equip Quarter-Turn Ceramic Cartridge, RTC



Model Number

5F-2SLF05F12

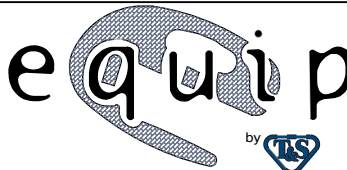
Product Specifications:

Single Hole Deck Mount Mixing Faucet w/ Quarter-Turn Ceramic Cartridges, equip Lever Handles, 5 9/16" equip Swivel Gooseneck, 1.2 GPM Aerator, 19-11/16" Flexible Supply Hoses w/ G1/2 Female Swivel Inlets

Product Compliance:

ASME A112.18.1 / CSA B125.1
NSF 61 - Section 9
NSF 372 (Low Lead Content)
ANSI A117.1 (ADA)

equip
Foodservice
Accessories



2 Saddleback Cove, P.O. Box 1088
Travelers Rest, South Carolina 29690
Phone: 800.891.4808 Fax: 800.868.0084
equip.tsbrass.com