

**T&S BRASS AND BRONZE WORKS, INC.**  
 2 SADDLEBACK COVE / P.O. BOX 1088 / TRAVELERS REST, SC 29690  
 PHONE 800-476-4103 FAX 864- 834-3518



Model No.

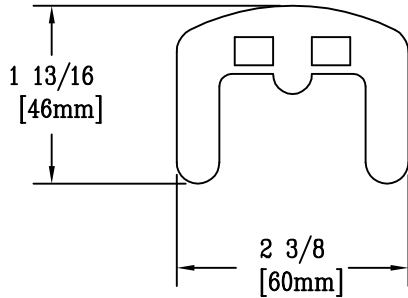
014163-45

Item No.:

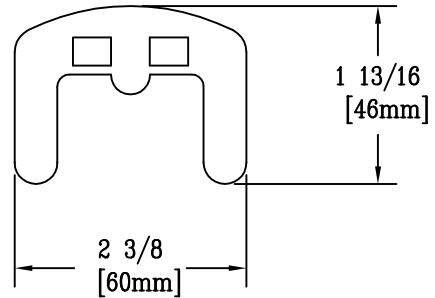
Job Name:

Architect/Engineer Approval:

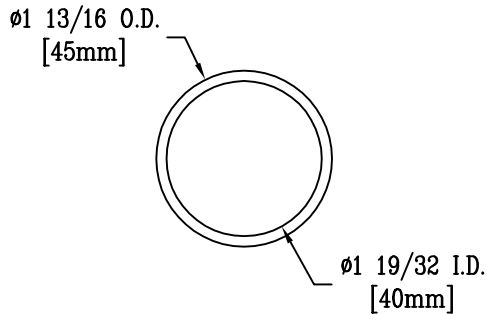
Notes:



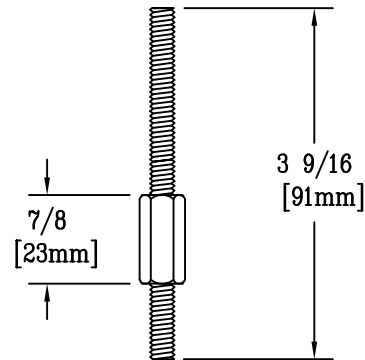
**LOCK WASHER**



**FOAM SPACER**



**O-RING**



**MOUNTING POST  
& LOCKNUT  
(2 SUPPLIED)**

**MODELS USED IN:**  
 B-2730, B-2730-07, B-2730-LH,  
 B-2731, B-2731-LH

Product Description:

Drawn:

Checked

Scale:

TEH

WJS

1 : 2

Approved

Date:

MVW

4/12/04

CENTER MOUNTING KIT