



# T&S BRASS AND BRONZE WORKS, INC.

2 Saddleback Cove / P.O. Box 1088  
Travelers Rest, SC 29690

Model No.

**021075-40**

Item No.

Travelers Rest, SC: 800-476-4103 • Simi Valley, CA: 800-423-0150 • Fax: 864-834-3518 • www.tsbrass.com

This Space for Architect/Engineer Approval

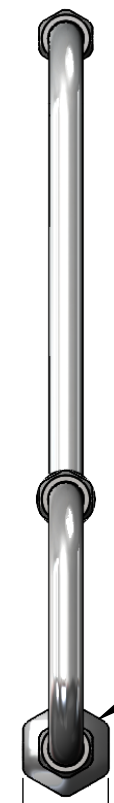
Job Name \_\_\_\_\_ Date \_\_\_\_\_

Model Specified \_\_\_\_\_ Quantity \_\_\_\_\_

Customer/Wholesaler \_\_\_\_\_

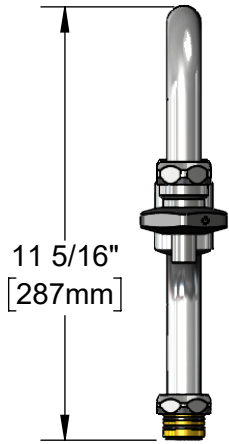
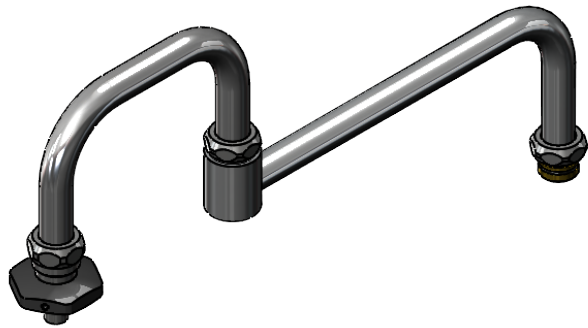
Contractor \_\_\_\_\_

Architect/Engineer \_\_\_\_\_

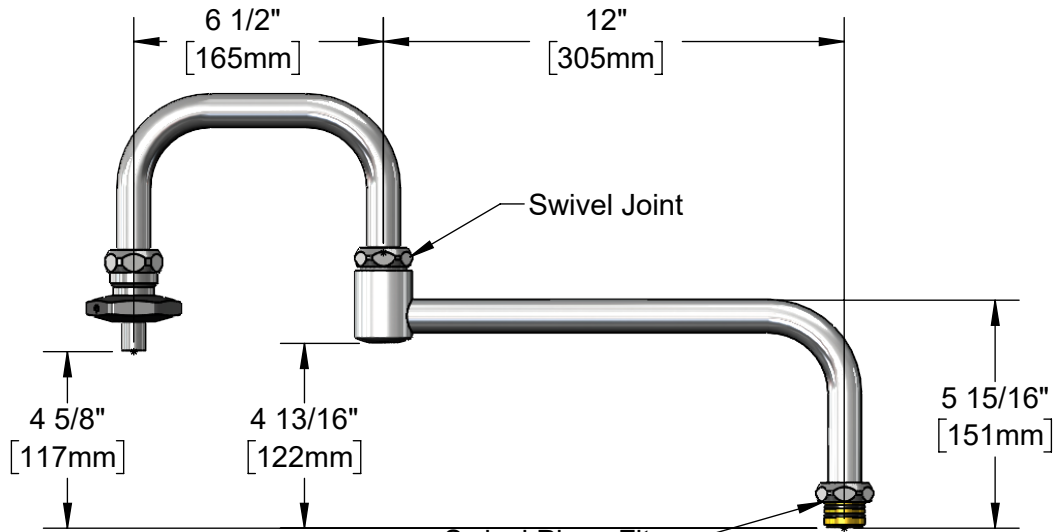


On-Off Volume Control w/  
Heat Resistant Handle

2 1/4"  
[56mm]



11 5/16"  
[287mm]



Swivel Joint

Swivel Piece Fits  
All Standard T&S  
Swivel Outlets

### Product Specifications:

18 1/2" Big-Flo Swing Nozzle w/ Heat Resistant Handle, 12" Back Section and 6 1/2" Front Section

### Product Compliance:

ASME A112.18.1 / CSA B125.1  
NSF 61 - Section 9  
NSF 372 (Low Lead Content)



# T&S BRASS AND BRONZE WORKS, INC.

2 Saddleback Cove / P.O. Box 1088  
Travelers Rest, SC 29690

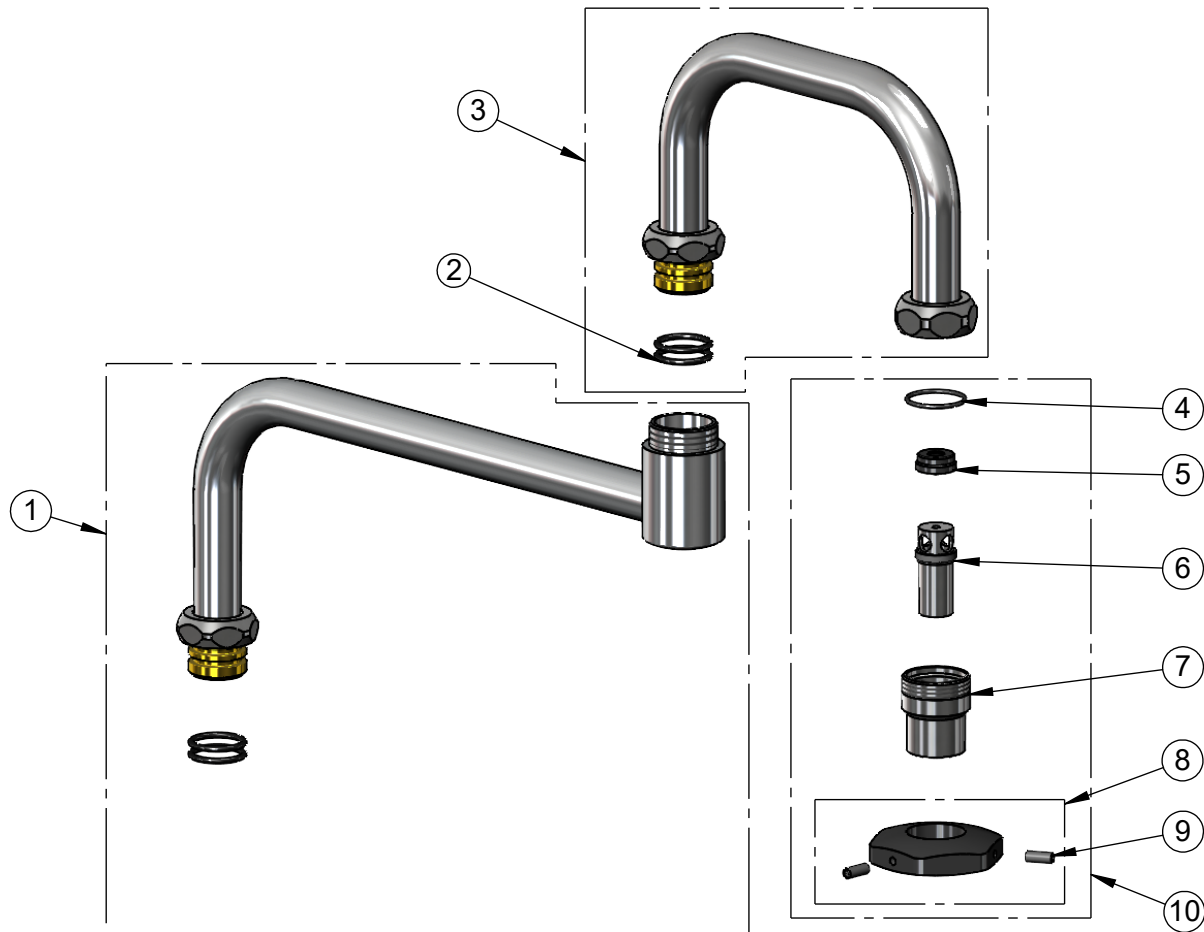
Model No.

**021075-40**

Item No.

Travelers Rest, SC: 800-476-4103 • Simi Valley, CA: 800-423-0150 • Fax: 864-834-3518 • www.tsbrass.com

| ITEM NO. | SALES NO. | DESCRIPTION  |
|----------|-----------|--|
| 1        | 118X      | 12" Big-Flo Back Section                               |
| 2        | 001068-45 | O-Ring   |
| 3        | 021073-40 | 6 1/2" Big-Flo Front Section w/ Outlet Connection      |
| 4        | 129F      | O-Ring   |
| 5        | 001089-45 | Seal   |
| 6        | 001498-25 | Spout  |
| 7        | 021070-25 | BF-0592 Spout Body                                     |
| 8        | 001126-20 | Handle w/ (2) Set Screws                               |
| 9        | 000936-45 | Handle Set Screw                                       |
| 10       | BF-035A   | Big-Flo On-Off Volume Control w/ Heat Resistant Handle |



**Product Specifications:**

18 1/2" Big-Flo Swing Nozzle w/ Heat Resistant Handle, 12" Back Section and 6 1/2" Front Section

**Product Compliance:**

ASME A112.18.1 / CSA B125.1  
NSF 61 - Section 9  
NSF 372 (Low Lead Content)