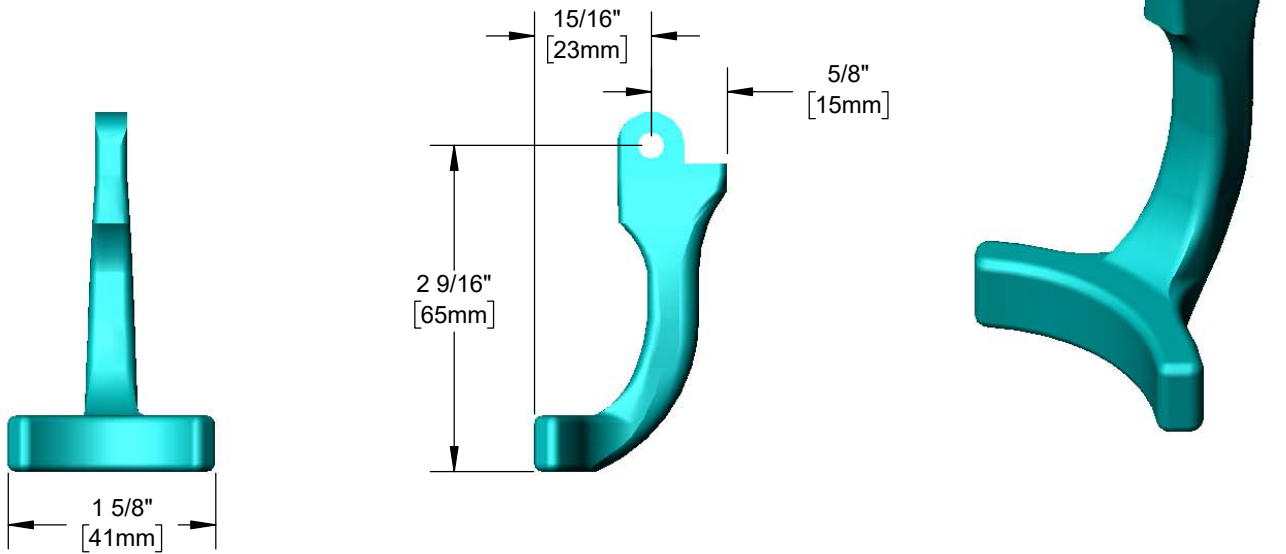




Architect/Engineering Specifications:

Blue lexan retro glass filler lever arm.

Job Name	_____
Model Specified	_____ Quantity _____
Variations Specified	_____
Date	_____



Features & Benefits:

- Retro glass filler lever arm
- Material: Thermoplastic

Product Compliance:

- N/A

Warranty: One Year (Limited)

Performance Data:

- N/A

