



# Rigid and Swivel Gooseneck Spouts

## B-2456-W

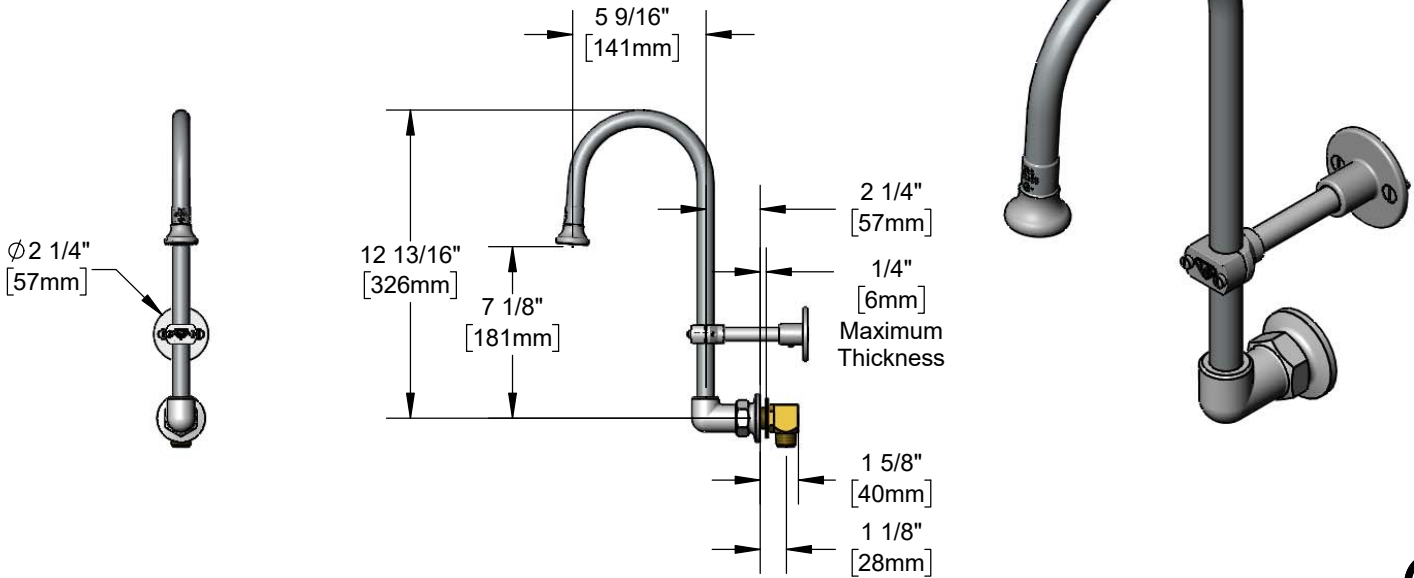
TAG:

### Rigid Wall Mount Dummy Gooseneck

#### Architect/Engineering Specifications:

Wall mount rigid dummy gooseneck, chrome plated brass elbow and 5 9/16" gooseneck, rosespray outlet with 1.5 GPM flow control, 1/2" NPT female inlet, 4 1/4" adjustable wall bracket and 1/2" NPT male supply elbow installation kit. Certified to ASME A112.18.1/CSA B125.1, NSF 61-Section 9 and NSF 372.

Job Name \_\_\_\_\_  
 Model Specified \_\_\_\_\_ Quantity \_\_\_\_\_  
 Variations Specified \_\_\_\_\_  
 Date \_\_\_\_\_



#### Features & Benefits:

- Wall mount rigid dummy gooseneck for remote locations
- 5 9/16" rigid gooseneck
- Rosespray outlet with 1.5 GPM flow control, Series 2
- 1/2" NPT female inlet w/ Ø2" flange
- 1/2" NPT male elbow kit w/ lock nut and washer
- 4 1/4" adjustable wall bracket
- Material: Polished chrome plated brass tubular spout & rigid elbow and brass elbow supply kit

#### Product Compliance:

- ASME A112.18.1 / CSA B125.1
- NSF 61 - Section 9
- NSF 372 (Low Lead Content)

#### Warranty: One Year (Limited)

#### Performance Data:

- Pressure: 20 - 125 psi
- Temperature: 40 °F - 140 °F
- Flow Rate: 1.5 GPM @ 60 psi

#### Optional Outlets (Series 2 / VR Series 7)

GPM	Aerated	Non-Aerated (Laminar)	VR Aerated	VR Non-Aerated (VR Laminar)
0.35	N/A	<input type="checkbox"/> B-0199-02-N035	N/A	<input type="checkbox"/> B-0199-07-N035
0.5	N/A	<input type="checkbox"/> B-0199-02-N05	N/A	<input type="checkbox"/> B-0199-07-N05
1.0	<input type="checkbox"/> B-0199-02-F10	N/A	<input type="checkbox"/> B-0199-07-F10	N/A
1.2	<input type="checkbox"/> B-0199-02-F12	N/A	<input type="checkbox"/> B-0199-07-F12	N/A
1.5	<input type="checkbox"/> B-0199-02-WS	N/A	<input type="checkbox"/> B-0199-07-WS	N/A
2.2	<input type="checkbox"/> B-0199-02	N/A	<input type="checkbox"/> B-0199-07	N/A



T&S BRASS AND BRONZE WORKS, INC.



• 2 Saddleback Cove • Travelers Rest, SC 29690  
 Ph 800-476-4103 • Fax 864-834-3518  
 • Simi Valley, CA • Ph 800-423-0150 • www.tsbrass.com

Date: 08/01/19