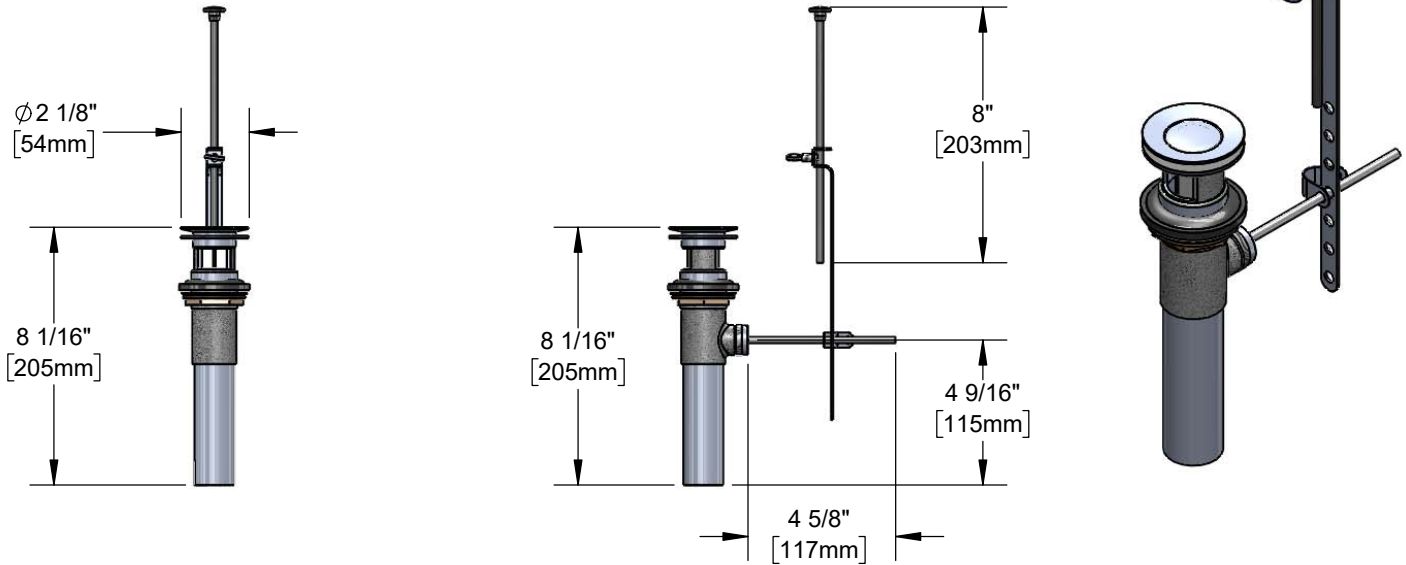




Architect/Engineering Specifications:

Lavatory sink pop-up drain with polished chrome plated vandal resistant drain stop, pop-up handle, Ø 1 1/4" brass tailpiece and overflow opening. Certified to ASME A112.18.2/CSA B125.2.

Job Name _____
 Model Specified _____ Quantity _____
 Variations Specified _____
 Date _____



Features & Benefits:

- Polished chrome plated $\phi 2 \frac{1}{8}$ " vandal resistant drain stop
- Brass body with overflow opening fits lavatory sink outlets
- Pop-up handle used with compatible lavatory faucets
- Fits sinks with $\phi 1 \frac{7}{16}$ " to $\phi 1 \frac{3}{4}$ " drain hole
- $\phi 1 \frac{1}{4}$ " brass tailpiece
- Material: Brass body with polished chrome plated drain stop; brass tailpiece

Product Compliance:

- ASME A112.18.2 / CSA B125.2



Warranty: One Year (Limited)

Performance Data:

- Discharge Rate: 8.88 GPM

