



Architect/Engineering Specifications:

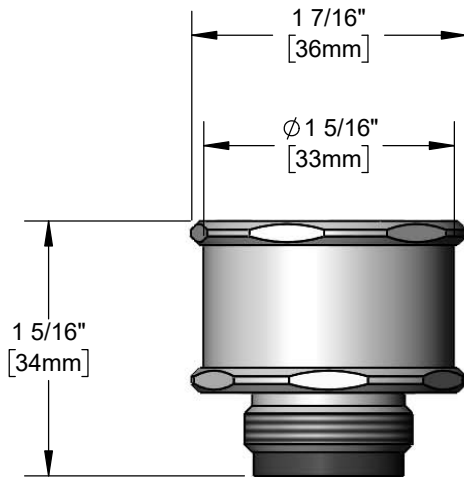
Pre-rinse hose and spray valve hex swivel with 7/8-20 UN female outlet and 7/8-20 UN male inlet. Fits all T&S spray valve handles. Certified to ASME A112.18.1 / CSA B125.1, NSF 61-Section 9 and NSF 372.

Job Name _____

Model Specified _____ Quantity _____

Variations Specified _____

Date _____



Features & Benefits:

- Pre-rinse hose and spray valve hex swivel
- Fits all T&S spray valve handles
- 7/8-20 UN female outlet
- 7/8-20 UN male inlet
- Replacement seals included
- Material: Chrome plated brass and rubber seals

Product Compliance:

- ASME A112.18.1 / CSA B125.1
- NSF 61 - Section 9
- NSF 372 (Low Lead Content)



Warranty: One Year (Limited)



Performance Data:

- N/A

