



**T&S BRASS AND BRONZE WORKS, INC.**  
 2 Saddleback Cove / P.O. Box 1088  
 Travelers Rest, SC 29690

Model No.  
**AG-K Series**

Item No.

Travelers Rest, SC: 800-476-4103 • Simi Valley, CA: 800-423-0150 • Fax: 864-834-3518 • www.tsbrass.com

This Space for Architect/Engineer Approval

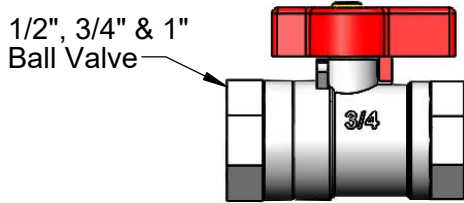
Job Name \_\_\_\_\_ Date \_\_\_\_\_

Model Specified \_\_\_\_\_ Quantity \_\_\_\_\_

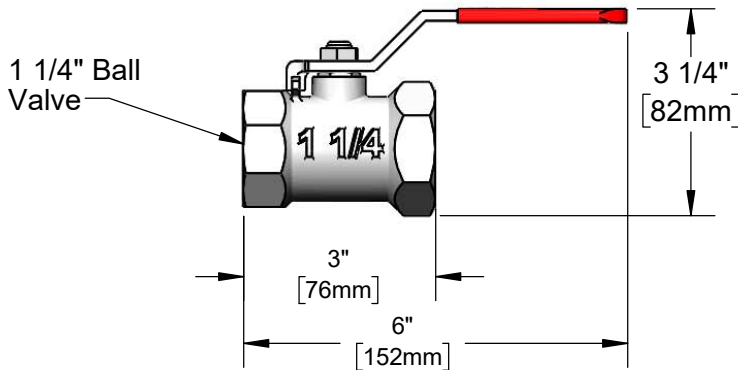
Customer/Wholesaler \_\_\_\_\_

Contractor \_\_\_\_\_

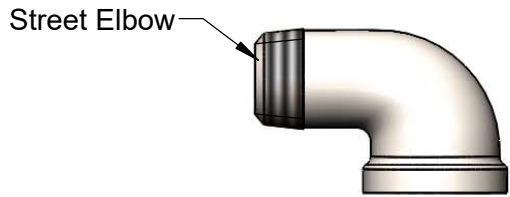
Architect/Engineer \_\_\_\_\_



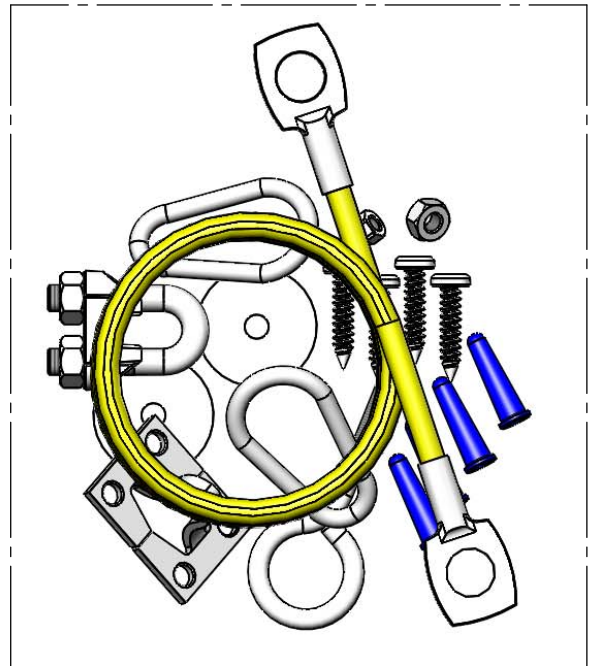
1/2", 3/4" & 1" Ball Valve



1 1/4" Ball Valve



Street Elbow



Installation Kit: Restraining Cable

1/2" NPT	3/4" NPT	1" NPT	1 1/4" NPT	5' Cable w/ Hardware
AG-KC	AG-KD	AG-KE	AG-KF	AG-RC

**AG-8 Series Product Configurator: AG - K**

Ex: AG - K C

Restraining Cable Installation kit w/ 1/2" NPT Gas Street Male Elbow and 1/2" NPT Ball Valve

Product Specifications:  
 Installation Kit:  
 Street Elbow, Ball Valve and Restraining Cable with Mounting Hardware

Product Compliance:  
 ANSI Z21.15a / CSA 9.1a (Gas Valves)  
 NFPA 54