



**Parts and Repair Kit**  
**018292-45NS**

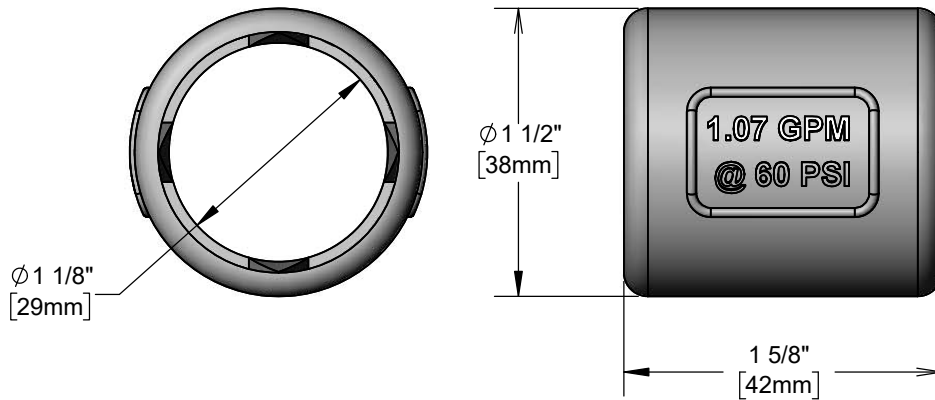
TAG:

*Grey Shield*

**Architect/Engineering Specifications:**

1.07 GPM Grey shield and bumper guard for B-0107-J spray valve.

Job Name \_\_\_\_\_  
 Model Specified \_\_\_\_\_ Quantity \_\_\_\_\_  
 Variations Specified \_\_\_\_\_  
 Date \_\_\_\_\_



**Features & Benefits:**

- 1.07 GPM Grey shield and bumper guard for B-0107-J spray valve
- Material: Rubber

**Product Compliance:**

- N/A



**Warranty:** One Year (Limited)



**Performance Data:**

- N/A



**T&S BRASS AND BRONZE WORKS, INC.**



• 2 Saddleback Cove • Travelers Rest, SC 29690  
 Ph 800-476-4103 • Fax 864-834-3518  
 • Simi Valley, CA • Ph 800-423-0150 • www.tsbrass.com

Date: 07/31/19