



Architect/Engineering Specifications:

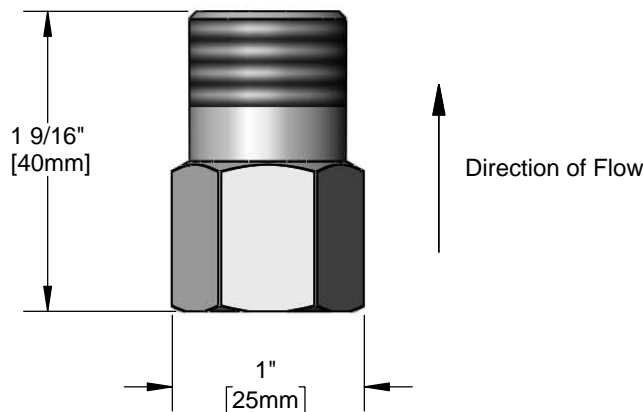
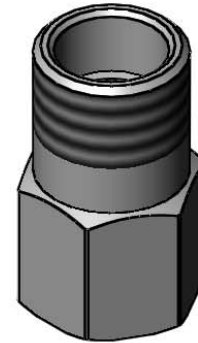
Flow regulating check valve with 1.0 GPM flow control and 1/2" NPSM female inlet and 1/2" NPSM male outlet. Certified to ASME A112.18.1/CSA B125.1, NSF 61-Section 9 and NSF 372.

Job Name _____

Model Specified _____ Quantity _____

Variations Specified _____

Date _____



Features & Benefits:

- Flow regulating check valve
- 1.0 GPM flow control
- 1/2" NPSM female inlet
- 1/2" NPSM male inlet
- Material: Chrome plated brass

Product Compliance:

- ASME A112.18.1 / CSA B125.1
- NSF 61 - Section 9
- NSF 372 (Low Lead Content)



Warranty: One Year (Limited)

Performance Data:

- Pressure: 20 - 125 psi
- Temperature: 40 °F - 140 °F
- Flow Rate: 1.0 GPM @ 60 psi

