



Architect/Engineering Specifications:

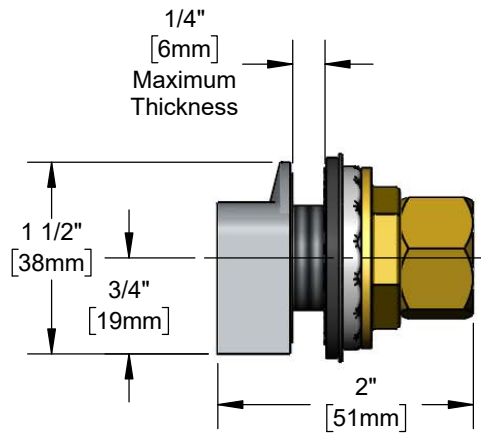
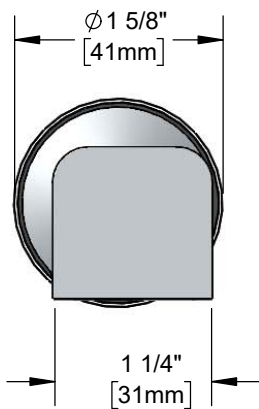
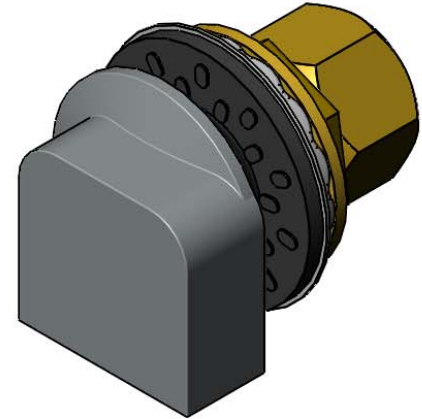
Polished chrome plated brass body water inlet fitting with rubber compression cone, 1/2" NPSM coupling nut and rubber washer. Certified to ASME A112.18.1/CSA B125.1.

Job Name _____

Model Specified _____ Quantity _____

Variations Specified _____

Date _____



Features & Benefits:

- Polished chrome plated brass body water inlet fitting
- Rubber compression cone
- 1/2" NPSM coupling nut
- Rubber washer
- Material: Polished chrome plated brass body

Product Compliance:

- ASME A112.18.1 / CSA B125.1
- NSF 61 Exempt (Non-Potable)



Warranty: One Year (Limited)

Performance Data:

- Pressure: 20 - 125 psi [1.38 - 8.62 bar]
- Temperature: 40 °F - 140 °F [4.44 °C - 60 °C]
- Flow Rate: 22.4 GPM [84.8 L/min] @ 60 psi [4.14 bar]

