



# T&S BRASS AND BRONZE WORKS, INC.

2 Saddleback Cove / P.O. Box 1088  
Travelers Rest, SC 29690

Model No.

**B-0806-PA**

Item No.

Travelers Rest, SC: 800-476-4103 • Simi Valley, CA: 800-423-0150 • Fax: 864-834-3518 • www.tsbrass.com



**ADA Compliant**

This Space for Architect/Engineer Approval

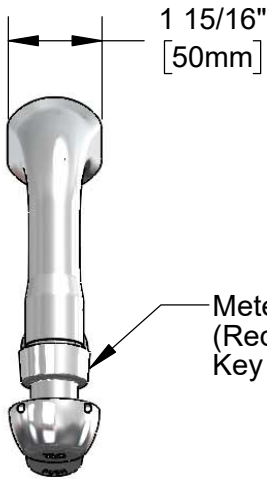
Job Name \_\_\_\_\_ Date \_\_\_\_\_

Model Specified \_\_\_\_\_ Quantity \_\_\_\_\_

Customer/Wholesaler \_\_\_\_\_

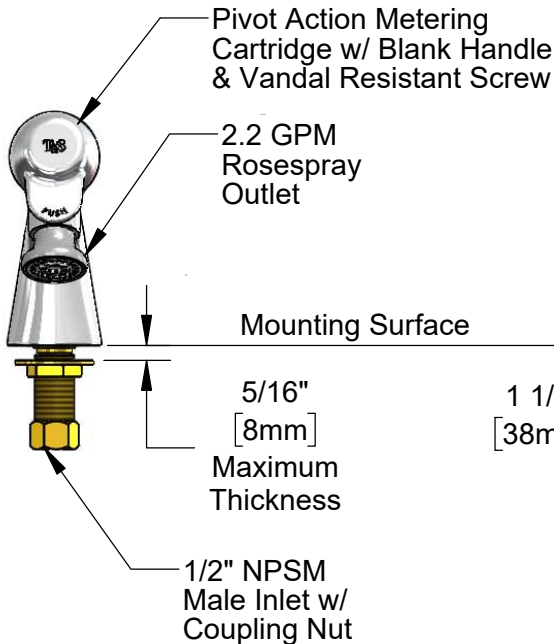
Contractor \_\_\_\_\_

Architect/Engineer \_\_\_\_\_



1 15/16"  
[50mm]

Metering Cartridge  
(Requires 3/32" Hex  
Key for Adjustment)



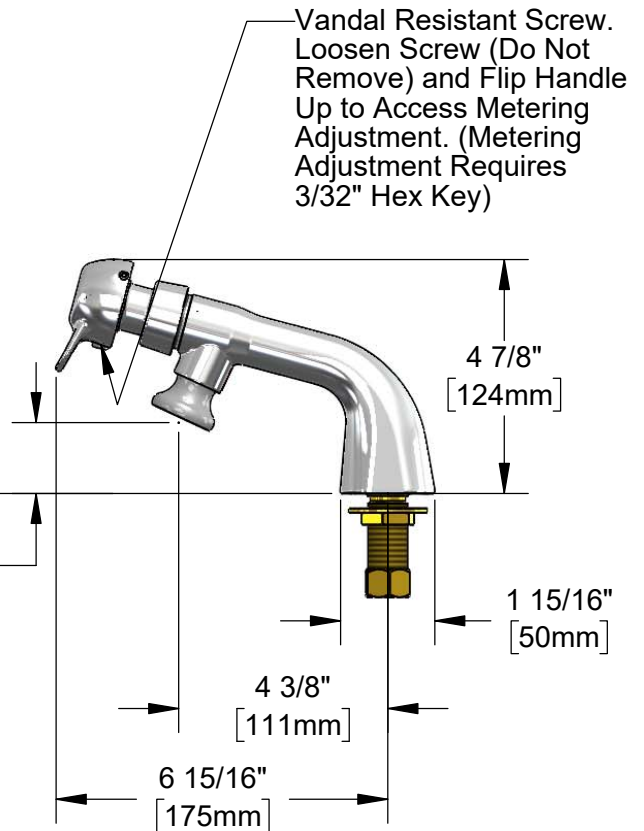
Pivot Action Metering  
Cartridge w/ Blank Handle  
& Vandal Resistant Screw

2.2 GPM  
Rosespray  
Outlet

Mounting Surface

5/16"  
[8mm]  
Maximum  
Thickness

1/2" NPSM  
Male Inlet w/  
Coupling Nut



Vandal Resistant Screw.  
Loosen Screw (Do Not  
Remove) and Flip Handle  
Up to Access Metering  
Adjustment. (Metering  
Adjustment Requires  
3/32" Hex Key)

4 7/8"  
[124mm]

1 15/16"  
[50mm]

4 3/8"  
[111mm]

6 15/16"  
[175mm]

Rough-In Requirement:  
Ø 1" [25mm] Mounting Hole

Product Specifications:  
Single Hole Single Temperature Deck Mount Faucet, Pivot Action Metering  
Cartridge, 2.2 GPM Rosespray Outlet & 1/2" NPSM Male Inlet

Product Compliance:  
ASME A112.18.1 / CSA B125.1  
NSF 61 - Section 9  
NSF 372 (Low Lead Content)  
ANSI A117.1 (ADA)

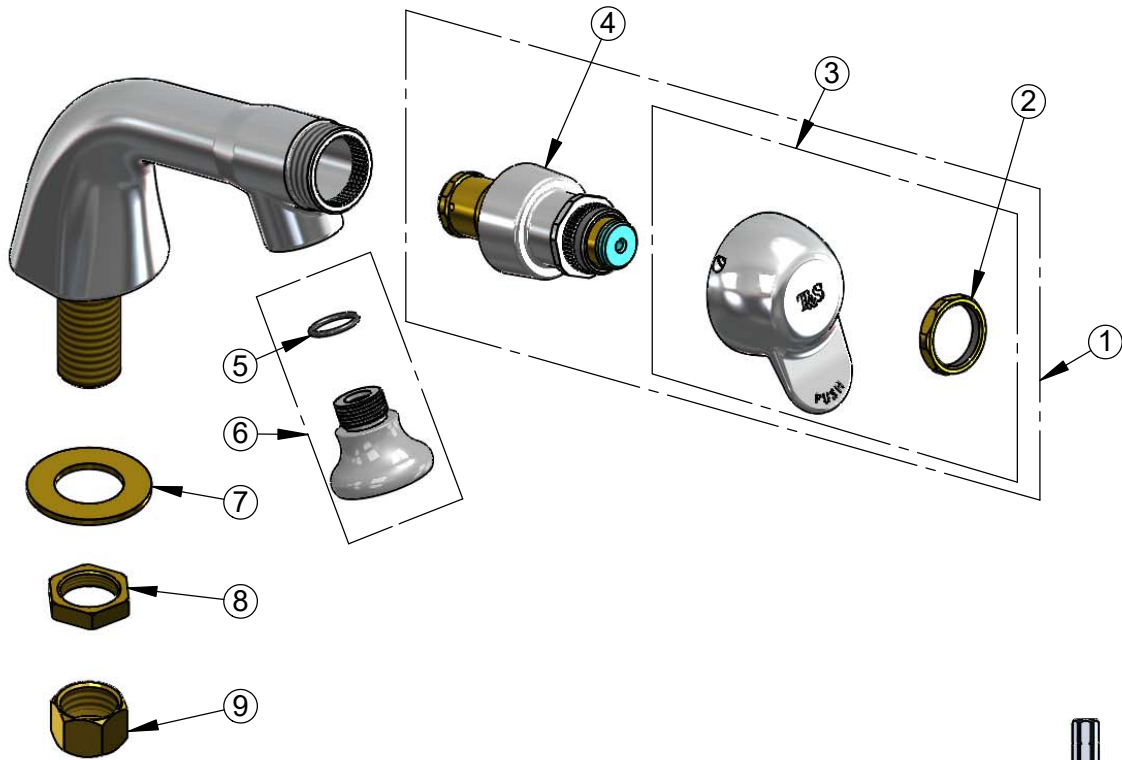


**T&S BRASS AND BRONZE WORKS, INC.**  
 2 Saddleback Cove / P.O. Box 1088  
 Travelers Rest, SC 29690

Model No.  
**B-0806-PA**  
 Item No.

Travelers Rest, SC: 800-476-4103 • Simi Valley, CA: 800-423-0150 • Fax: 864-834-3518 • www.tsbrass.com

ITEM NO.	SALES NO.	DESCRIPTION
1	238AB-PA	Pivot Action Metering Cartridge w/ Blank Pivot Action Handle, Retainin Nut and Spanner Bit
2	PA-N	Retaining Nut
3	PA-B	Blank Pivot Action Handle Assembly w/ Retaining Nut
4	238A	Metering Cartridge
5	006562-45	O-Ring
6	B-0103	2.2 GPM Rosespray Outlet
7	000999-45	Brass Lock Washer
8	002954-45	Shank Lock Nut
9	000958-20	Coupling Nut



014734-45  
 Spanner Bit

Product Specifications:  
 Single Hole Single Temperature Deck Mount Faucet, Pivot Action Metering Cartridge, 2.2 GPM Rosespray Outlet & 1/2" NPSM Male Inlet

Product Compliance:  
 ASME A112.18.1 / CSA B125.1  
 NSF 61 - Section 9  
 NSF 372 (Low Lead Content)  
 ANSI A117.1 (ADA)