

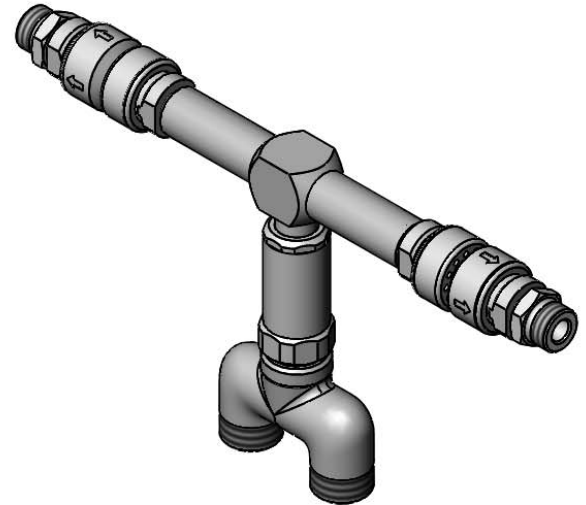
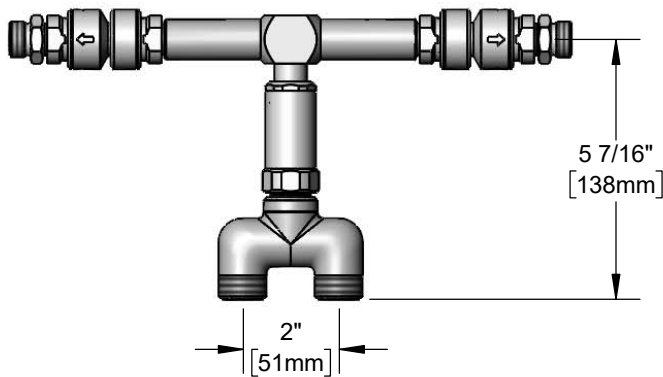


Swivel Tee w/ Vacuum Breaker & "Y" Fitting

Architect/Engineering Specifications:

Polished chrome plated brass swivel tee assembly with swivel tee, vacuum breakers, "Y" fitting and adapter outlets. Certified to ASME A112.18.1/CSA B125.1, NSF 61-Section 9, NSF 372 and CSA B64.8.

Job Name _____
 Model Specified _____ Quantity _____
 Variations Specified _____
 Date _____



Features & Benefits:

- Swivel tee
- 1-14 UN "Y" fitting
- 3/8" NPT vacuum breakers
- 3/8" x 3/4-14 UN adapter outlets
- Material: Polished chrome plated brass

Product Compliance:

- ASME A112.18.1 / CSA B125.1
- NSF 61 - Section 9
- NSF 372 (Low Lead Content)
- CSA B64.8 (VB)



Warranty: One Year (Limited)

Performance Data:

- Pressure: 20 - 125 psi
- Temperature: 40°F - 140°F
- Flow Rate: 7.27 GPM @ 60 psi

