



T&S BRASS AND BRONZE WORKS, INC.

2 Saddleback Cove / P.O. Box 1088
Travelers Rest, SC 29690



REG. #A2601
ISO #9001

Model No.
017487-45B

Item No.

Travelers Rest, SC: 800-476-4103 Simi Valley, CA: 800-423-0150 Fax: 864-834-3518 www.tsbrass.com

This Space for Architect/Engineer Approval

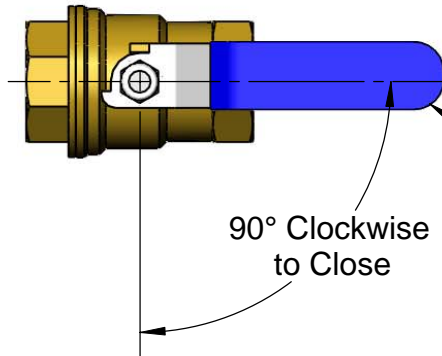
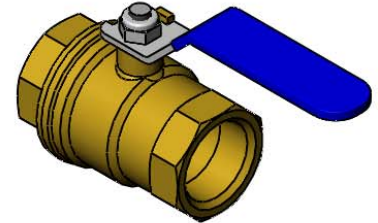
Job Name _____ Date _____

Model Specified _____ Quantity _____

Customer/Wholesaler _____

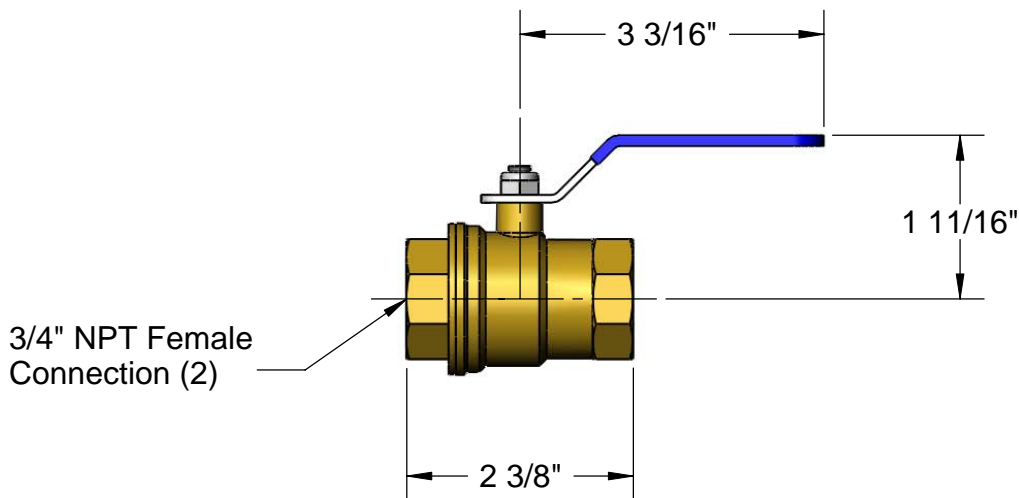
Contractor _____

Architect/Engineer _____



90° Clockwise
to Close

Blue Vinyl Coated
Zinc Plated Steel
Handle



Product Specifications:
**Ball Valve, 3/4" NPT Female Connections
w/ Blue Lever Handle**

| | | |
|----------------------|-----------------------|--------------------------|
| Drawn DMH | Checked JRM | Approved JHB |
| Scale: 1:2 | | Date: 11/10/08 |