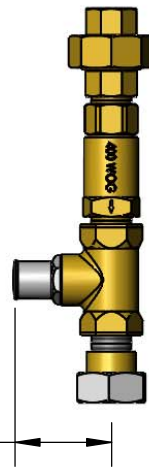
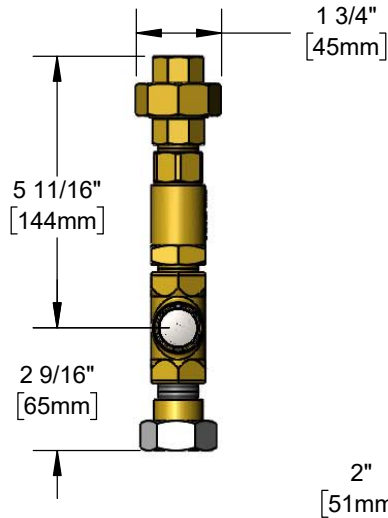




Architect/Engineering Specifications:

Inlet assembly for hose reel cabinet. Includes 1/2" NPT union, dual check valve and installation swivel supply stop. Certified to ASME A112.18.1/CSA B125.1, NSF 61/9 and NSF 372.

Job Name _____
 Model Specified _____ Quantity _____
 Variations Specified _____
 Date _____



Features & Benefits:

- Inlet assembly for hose reel cabinet
- 1/2" NPT union
- Dual check valve
- Installation swivel supply stop
- Material: Brass

Product Compliance:

- ASME A112.18.1/CSA B125.1
- NSF 61-Section 9
- NSF 372 (Low Lead Content)



Warranty: One Year (Limited)

Performance Data:

- Pressure: 20 - 125 psi [1.38 - 8.62 bar]
- Temperature: 40 F - 140 F [4.44 C - 60 C]
- Flow Rate: 7.5 GPM [28.39 L/min] @ 60 psi [4.14 bar]

(Outlet Device &/or Final Configuration May Reduce Flow Rate)

