



Backflow Preventers
001301-45RK

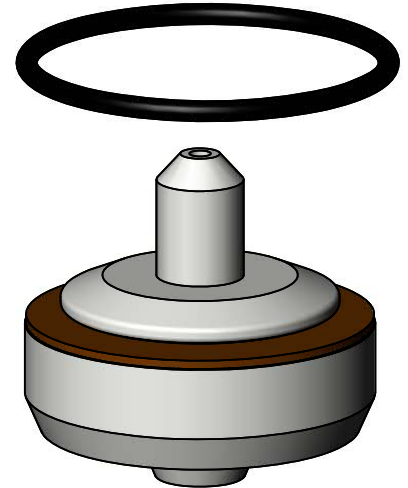
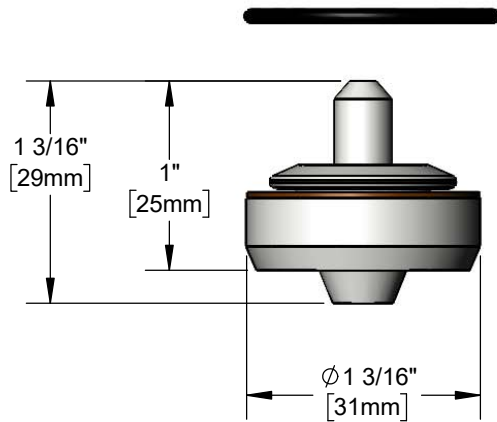
TAG:

Vacuum Breaker Repair Kit

Architect/Engineering Specifications:

3/4" NPT vacuum breaker repair kit with bonnet o-ring and seat disc. Certified to NSF 61-Section 9, NSF 372 and ASSE 1001.

Job Name _____
 Model Specified _____ Quantity _____
 Variations Specified _____
 Date _____



Features & Benefits:

- Atmospheric vacuum breaker repair kit
- Bonnet O-ring
- Seat Disc
- Float
- Material: Plastic

Product Compliance:

- NSF 61 - Section 9
- NSF 372 (Low Lead Content)
- ASSE 1001 (VB)

Warranty: One Year (Limited)

Performance Data:

- N/A



T&S BRASS AND BRONZE WORKS, INC.



• 2 Saddleback Cove • Travelers Rest, SC 29690
 Ph 800-476-4103 • Fax 864-834-3518
 • Simi Valley, CA • Ph 800-423-0150 • www.tsbrass.com

Date: 05/31/19