



**Architect/Engineering Specifications:**

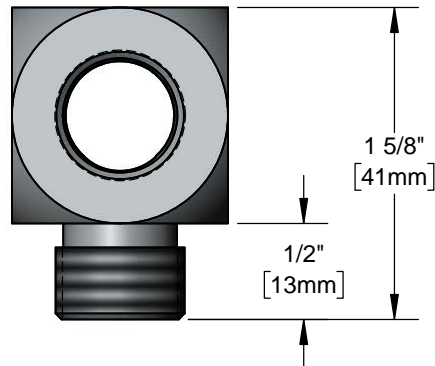
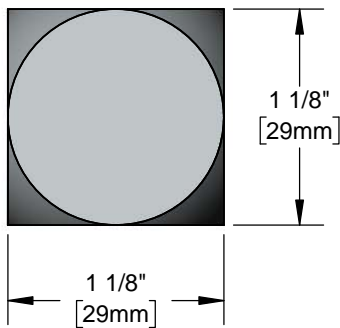
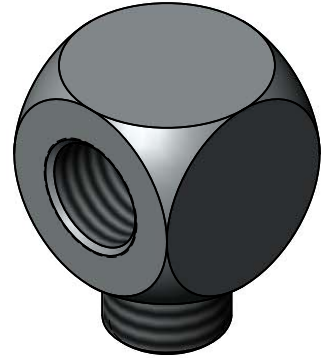
Polished chrome plated pedestal cube, 3/8" NPT female thread both sides and 3/8" NPSL male thread. Certified to NSF 61-Section 9 and NSF 372.

Job Name \_\_\_\_\_

Model Specified \_\_\_\_\_ Quantity \_\_\_\_\_

Variations Specified \_\_\_\_\_

Date \_\_\_\_\_



**Features & Benefits:**

- Pedestal cube
- 3/8" NPT female thread both sides and 3/8" NPSL male thread
- Material: Polished chrome plated brass

**Product Compliance:**

- NSF 61 - Section 9
- NSF 372 (Low Lead Content)



**Warranty:** One Year (Limited)

**Performance Data:**

- N/A

