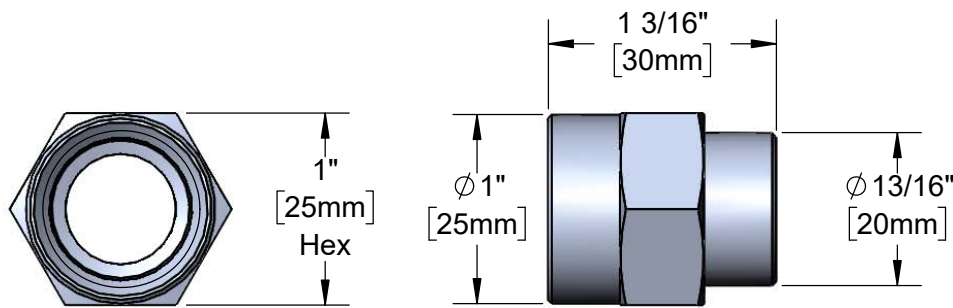
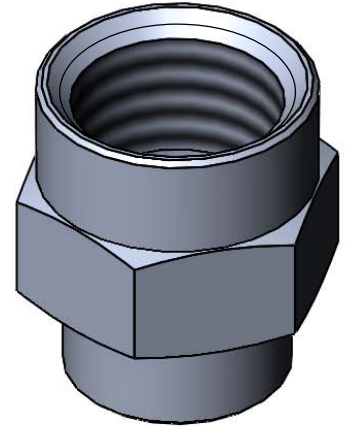




Architect/Engineering Specifications:

Rough chrome plated brass reducing coupling with 3/8" NPT female x 1/2" NPT female threads.

Job Name \_\_\_\_\_  
 Model Specified \_\_\_\_\_ Quantity \_\_\_\_\_  
 Variations Specified \_\_\_\_\_  
 Date \_\_\_\_\_



Features & Benefits:

- Polish chrome plated reducing coupling
- 3/8" NPT female x 1/2" NPT female threads
- Material: Rough chrome plated brass

Product Compliance:

- N/A

Warranty: One Year (Limited)

Performance Data:

- N/A

