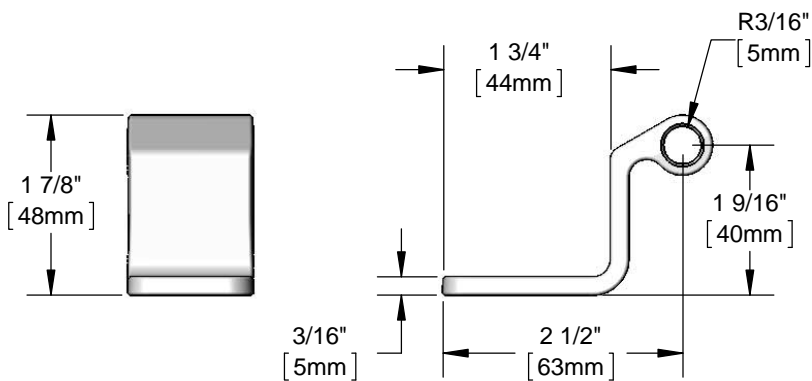




Architect/Engineering Specifications:

Foot pedal with laser letter "H" on rough chrome plated brass.

Job Name _____
 Model Specified _____ Quantity _____
 Variations Specified _____
 Date _____



Features & Benefits:

- Foot pedal with laser letter "H"
- Material: Rough chrome plated brass

Product Compliance:

- N/A

Warranty: One Year (Limited)

Performance Data:

- N/A

