



T&S BRASS AND BRONZE WORKS, INC.

2 Saddleback Cove / P.O. Box 1088
Travelers Rest, SC 29690

Model No.

B-0805-VR-LDP

Item No.

Travelers Rest, SC: 800-476-4103 • Simi Valley, CA: 800-423-0150 • Fax: 864-834-3518 • www.tsbrass.com



ADA Compliant

This Space for Architect/Engineer Approval

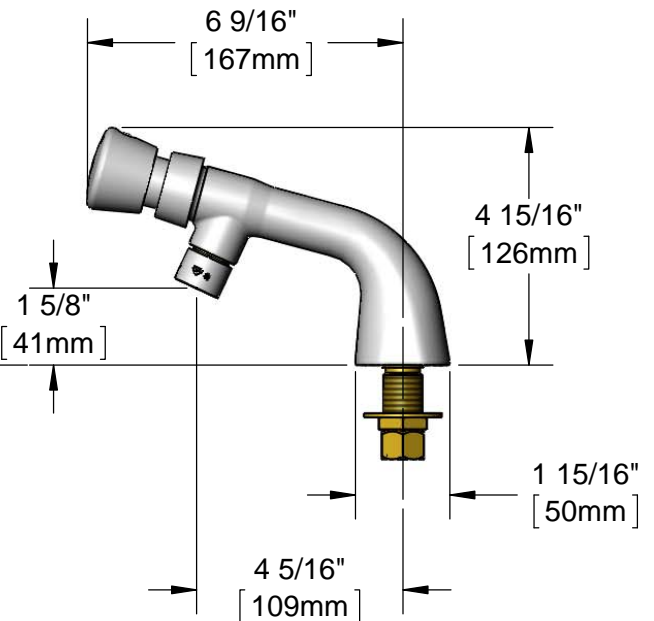
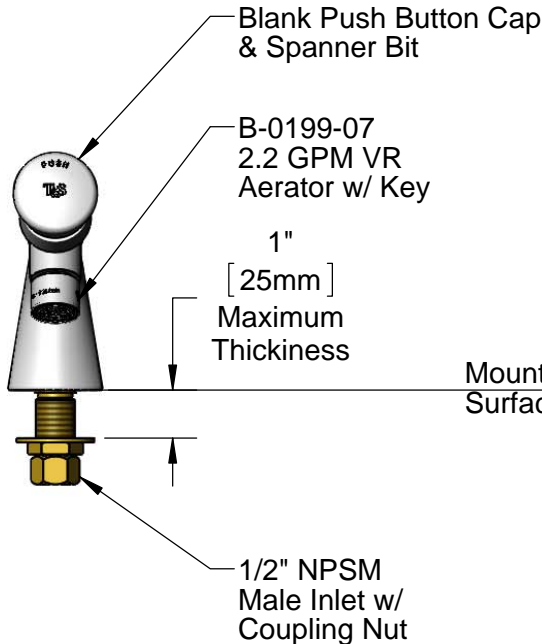
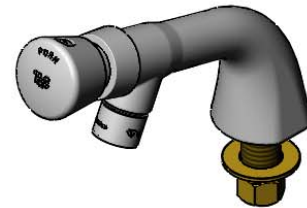
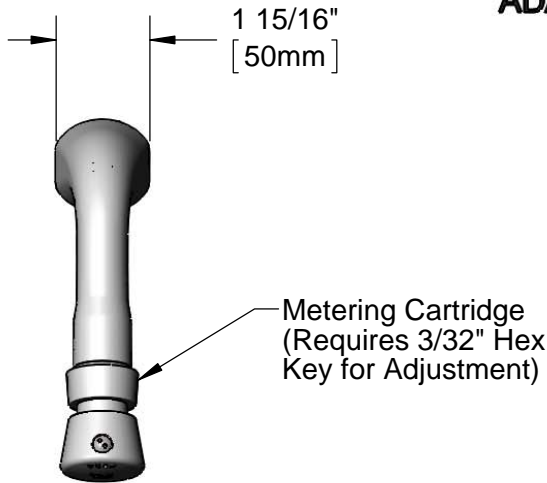
Job Name _____ Date _____

Model Specified _____ Quantity _____

Customer/Wholesaler _____

Contractor _____

Architect/Engineer _____



Rough-in Requirement:
Ø 1" [25mm] Mounting Hole

Product Specifications:
Single Hole Single Temperature Deck Mount Faucet, Push Button Metering Cartridge, 2.2 GPM VR Aerator & 1/2" NPSM Male Inlet

Product Compliance:
ASME A112.18.1 / CSA B125.1
NSF 61 - Section 9
NSF 372 (Low Lead Content)
ANSI A117.1 (ADA)



T&S BRASS AND BRONZE WORKS, INC.

2 Saddleback Cove / P.O. Box 1088
Travelers Rest, SC 29690

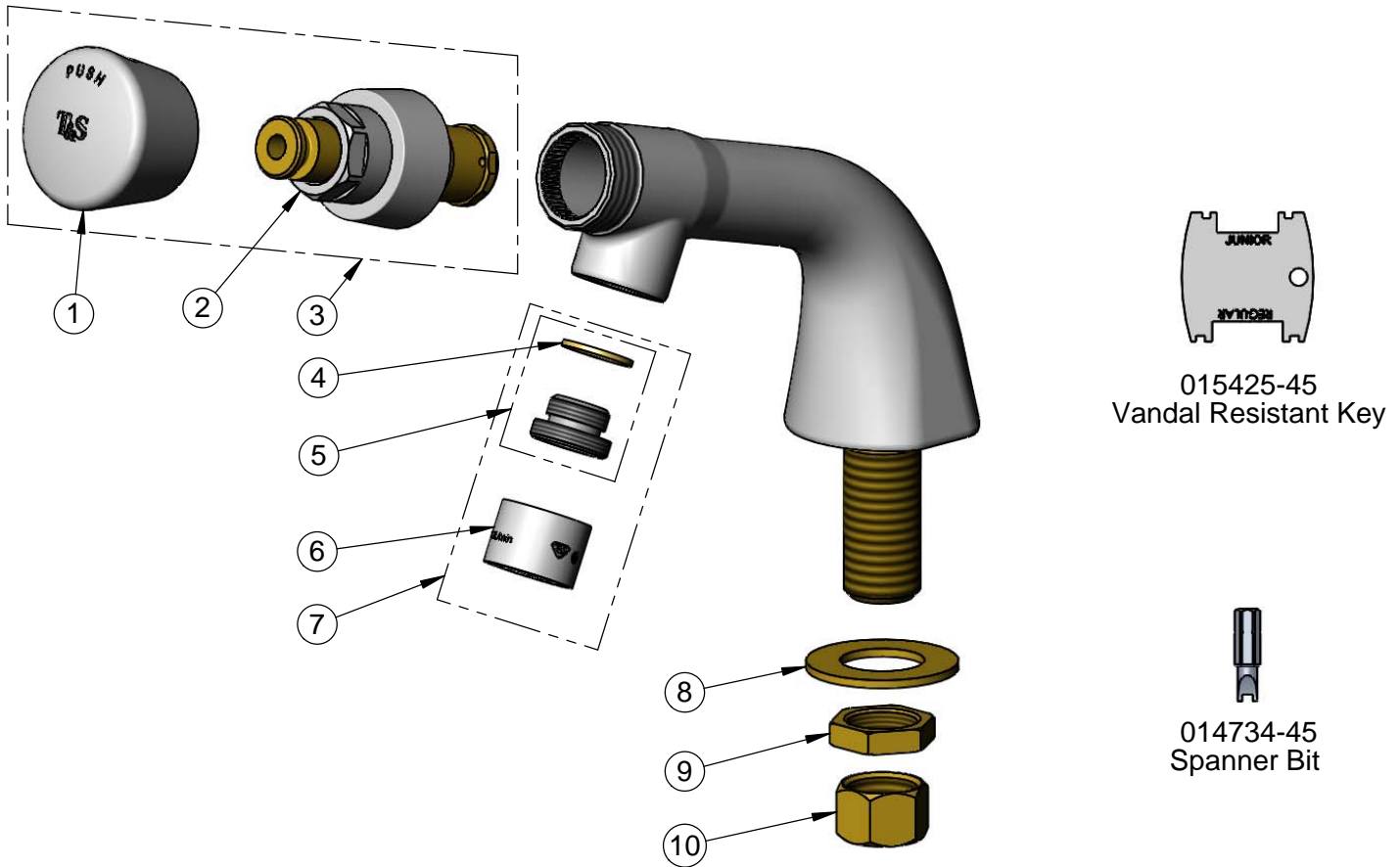
Model No.

B-0805-VR-LDP

Item No.

Travelers Rest, SC: 800-476-4103 • Simi Valley, CA: 800-423-0150 • Fax: 864-834-3518 • www.tsbrass.com

| ITEM NO. | SALES NO. | DESCRIPTION |
|----------|-----------|---|
| 1 | 014193-40 | Blank Push Button Cap w/ Spanner Bit |
| 2 | 238A | Push Button Metering Cartridge |
| 3 | 238AB | Metering Cartridge w/ Blank Push Button Cap & Spanner Bit |
| 4 | 001043-45 | Washer |
| 5 | 044A | 3/8" to Aerator Adapter |
| 6 | B-0199-06 | VR 2.2 GPM Aerator, 55/64"-27 UN w/ Key |
| 7 | B-0199-07 | VR 2.2 GPM Aerator, 3/8" NPSM Male w/ Key |
| 8 | 000999-45 | Brass Lock Washer |
| 9 | 002954-45 | Shank Lock Nut |
| 10 | 000958-20 | Coupling Nut |



Product Specifications:

Single Hole Single Temperature Deck Mount Faucet, Push Button Metering Cartridge, 2.2 GPM VR Aerator & 1/2" NPSM Male Inlet

Product Compliance:

ASME A112.18.1 / CSA B125.1
NSF 61 - Section 9
NSF 372 (Low Lead Content)
ANSI A117.1 (ADA)