



Architect/Engineering Specifications:

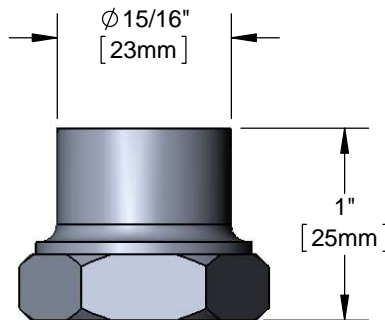
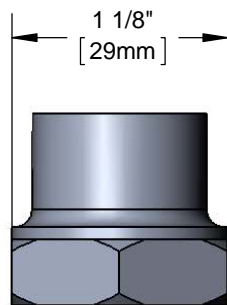
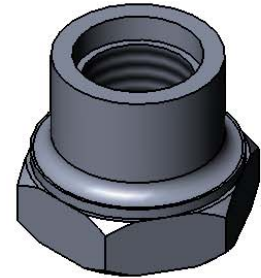
Rigid to swivel adapter, polished chrome plated brass body, 1-20 UN Female inlet outlet and 3/8" NPT female outlet. Certified to ASME A112.18.1/CSA B125.1, NSF 61-Section 9 and NSF 372.

Job Name \_\_\_\_\_

Model Specified \_\_\_\_\_ Quantity \_\_\_\_\_

Variations Specified \_\_\_\_\_

Date \_\_\_\_\_



Features & Benefits:

- Rigid to swivel polished chrome plated brass adapter
- 1-20 UN female inlet accepts standard T&S swing nozzles
- 3/8" NPT female outlet
- Washer included
- Material: Polished chrome plated brass body

Product Compliance:

- ASME A112.18.1 / CSA B125.1
- NSF 61 - Section 9
- NSF 372 (Low Lead Content)



Warranty: One Year (Limited)

Performance Data:

- Pressure: 20 - 125 psi
  - Temperature: 40 °F - 140 °F
  - Flow Rate: 29.50 GPM @ 60 psi
- (Outlet Device &/or Final Configuration May Reduce Flow Rate)

