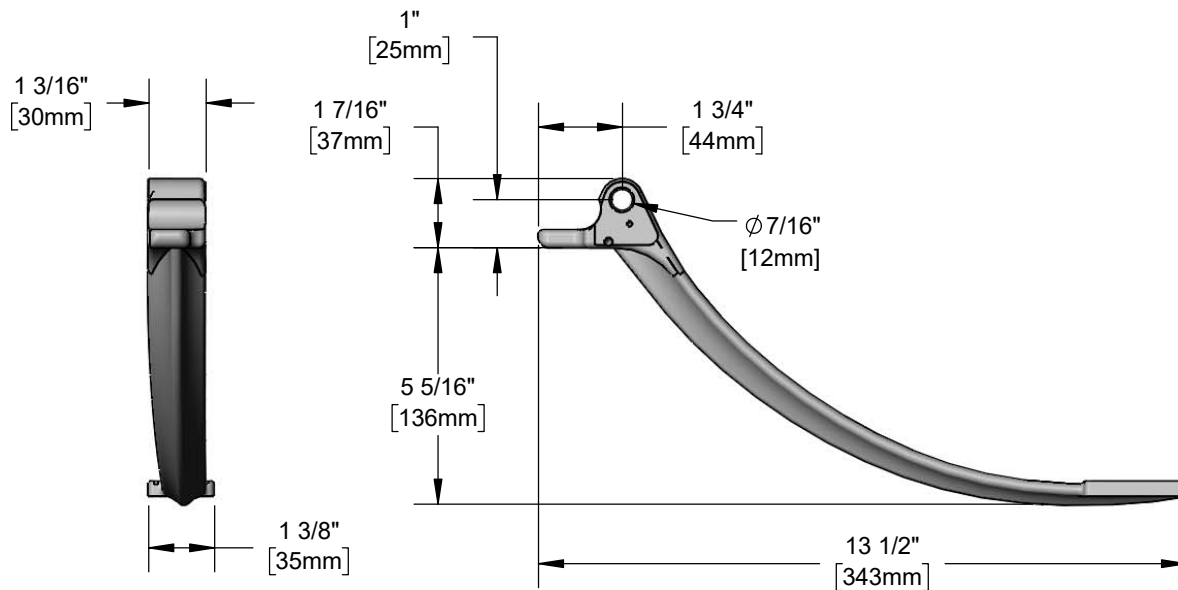




Architect/Engineering Specifications:

Brushed aluminum foot pedal, right hand blank.

Job Name _____
 Model Specified _____ Quantity _____
 Variations Specified _____
 Date _____



Features & Benefits:

- Foot pedal, right hand blank
- Material: Brushed Aluminum

Product Compliance:

- N/A

Warranty: One Year (Limited)

Performance Data:

- N/A

