



T&S BRASS AND BRONZE WORKS, INC.

2 Saddleback Cove / P.O. Box 1088
Travelers Rest, SC 29690

Model No.

B-0467

Item No.

Travelers Rest, SC: 800-476-4103 • Simi Valley, CA: 800-423-0150 • Fax: 864-834-3518 • www.tsbrass.com

This Space for Architect/Engineer Approval

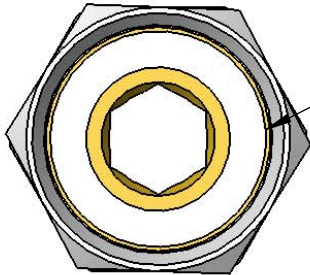
Job Name _____ Date _____

Model Specified _____ Quantity _____

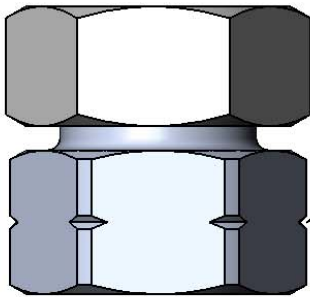
Customer/Wholesaler _____

Contractor _____

Architect/Engineer _____

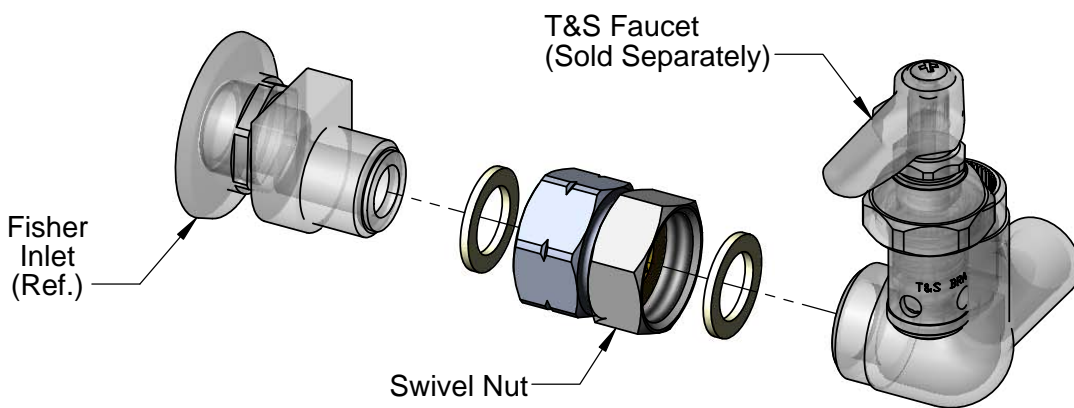


Supplied with (2)
Santoprene Seals
per Assembly
(1 each end)



1 3/8" [35mm] Swivel Hex
Nut with Internal Threads
to fit T&S Faucet Body

1 3/8" [35mm] Hex on Body.
Internal Threads fit Fisher
Inlet Flanges



Product Specifications:

Wall Mount Faucet Adapter for T&S Faucet to Fisher Inlets (Supplied in Qty (2) per package)

Product Compliance:

ASME A112.18.1 / CSA B125.1
NSF 61 - Section 9
NSF 372 (Low Lead Content)



T&S BRASS AND BRONZE WORKS, INC.
2 Saddleback Cove / P.O. Box 1088
Travelers Rest, SC 29690

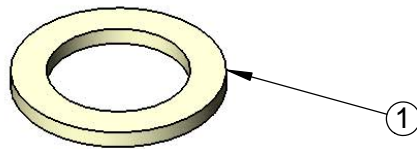
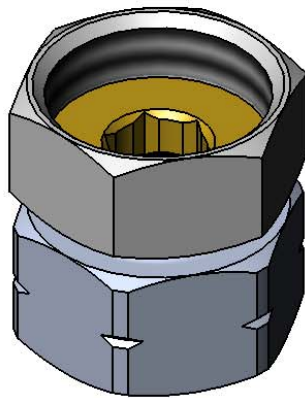
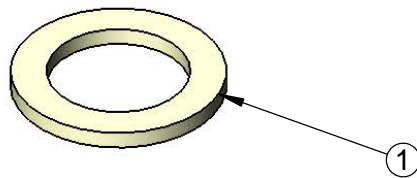
Model No.

B-0467

Item No.

Travelers Rest, SC: 800-476-4103 • Simi Valley, CA: 800-423-0150 • Fax: 864-834-3518 • www.tsbrass.com

| ITEM NO. | SALES NO. | DESCRIPTION |
|----------|-----------|---------------------|
| 1 | 001019-45 | Coupling Nut Washer |



Product Specifications:
Wall Mount Faucet Adapter for T&S Faucet to Fisher Inlets (Supplied in Qty (2) per package)

Product Compliance:
ASME A112.18.1 / CSA B125.1
NSF 61 - Section 9
NSF 372 (Low Lead Content)