



Architect/Engineering Specifications:

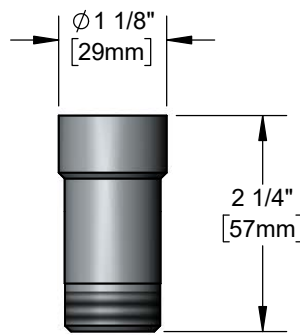
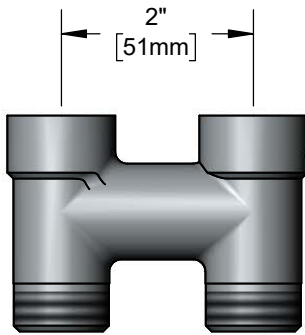
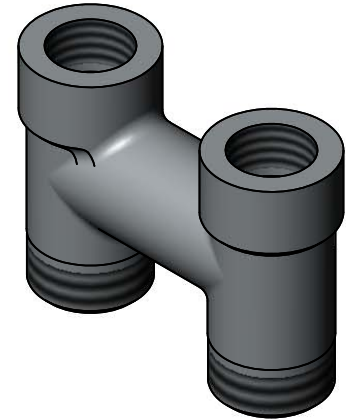
Polished chrome plated "H" yoke with 1-14 UN male inlet and 1/2" NPT female outlet. Certified to NSF 61-Section 9 and NSF 372.

Job Name _____

Model Specified _____ Quantity _____

Variations Specified _____

Date _____



Features & Benefits:

- "H" yoke
- 1-14 UN male inlet
- 1/2" NPT female outlet
- Material: Polished chrome plated brass

Product Compliance:

- NSF 61 - Section 9
- NSF 372 (Low Lead Content)



Warranty: One Year (Limited)



Performance Data:

- N/A

