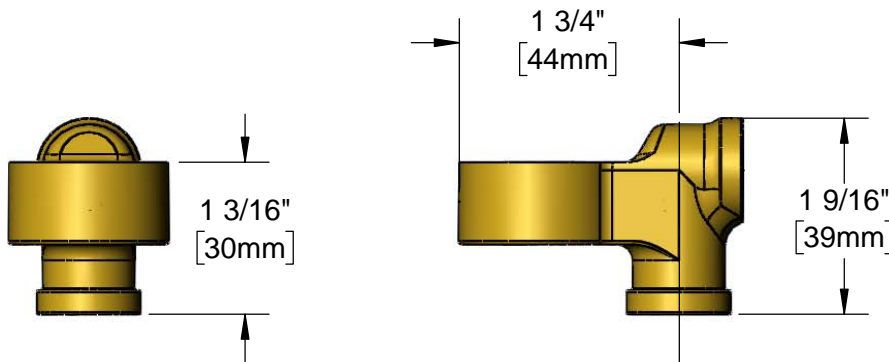
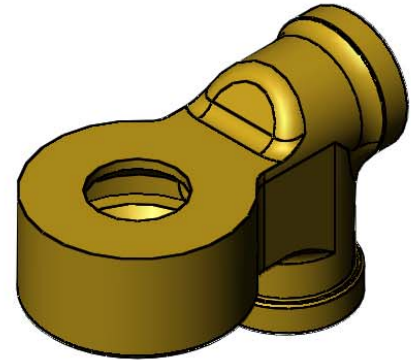




Architect/Engineering Specifications:

Brass swivel yoke w/ 1/4" NPT female inlet. Certified to ASME A112.18.1/CSA B125.1, NSF 61-Section 9 and NSF 372.

Job Name _____
 Model Specified _____ Quantity _____
 Variations Specified _____
 Date _____



Features & Benefits:

- Brass swivel yoke
- 1/4" NPT female inlets
- For use with all B-0865 style faucets
- Allows faucet to be operated with either wrist action handles or foot pedal valve
- Material: Brass

Product Compliance:

- ASME A112.18.1 / CSA B125.1
- NSF 61 - Section 9
- NSF 372 (Low Lead Content)

Warranty: One Year (Limited)

Performance Data:

- N/A

