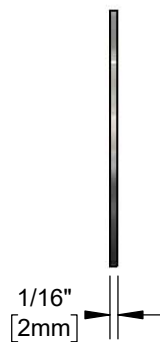
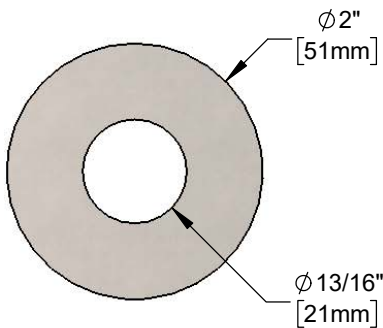
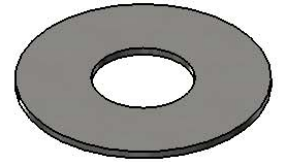




Architect/Engineering Specifications:

2" brass washer for T&S faucets.

Job Name _____
 Model Specified _____ Quantity _____
 Variations Specified _____
 Date _____



Features & Benefits:

- Brass washer for T&S faucets
- Material: Brass

Product Compliance:

- N/A

Warranty: One Year (Limited)

Performance Data:

- N/A

