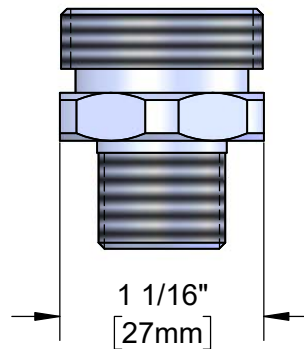
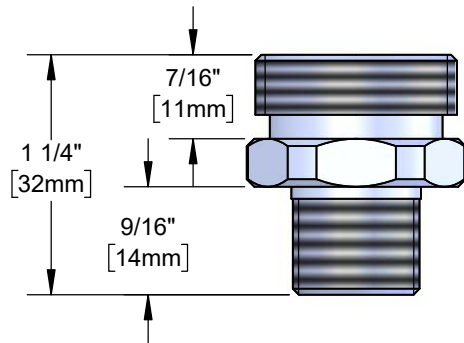
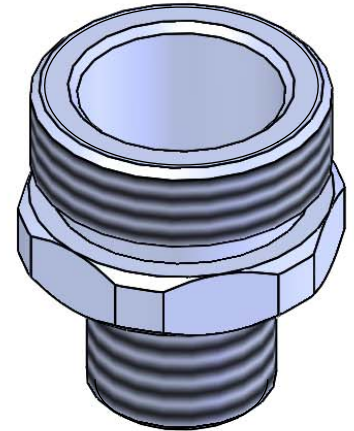




Architect/Engineering Specifications:

Chrome plated brass 3/8" NPT male x 3/4-11 1/2 NH male adapter. Certified to NSF 61-Section 9 and NSF 372.

Job Name _____
 Model Specified _____ Quantity _____
 Variations Specified _____
 Date _____



Features & Benefits:

- Chrome plated brass adapter
- 3/8" NPT male x 3/4-11 NH male adapter
- Material: Chrome plated brass

Product Compliance:

- NSF 61 - Section 9
- NSF 372 (Low Lead Content)



Warranty: One Year (Limited)



Performance Data:

- N/A

