



T&S BRASS AND BRONZE WORKS, INC.

2 Saddleback Cove / P.O. Box 1088
Travelers Rest, SC 29690

Model No.

005266-25

Item No.

Travelers Rest, SC: 800-476-4103 • Simi Valley, CA: 800-423-0150 • Fax: 864-834-3518 • www.tsbrass.com

This Space for Architect/Engineer Approval

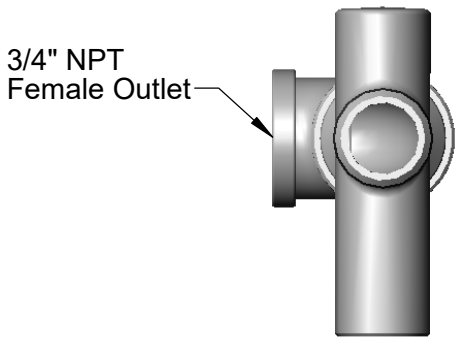
Job Name _____ Date _____

Model Specified _____ Quantity _____

Customer/Wholesaler _____

Contractor _____

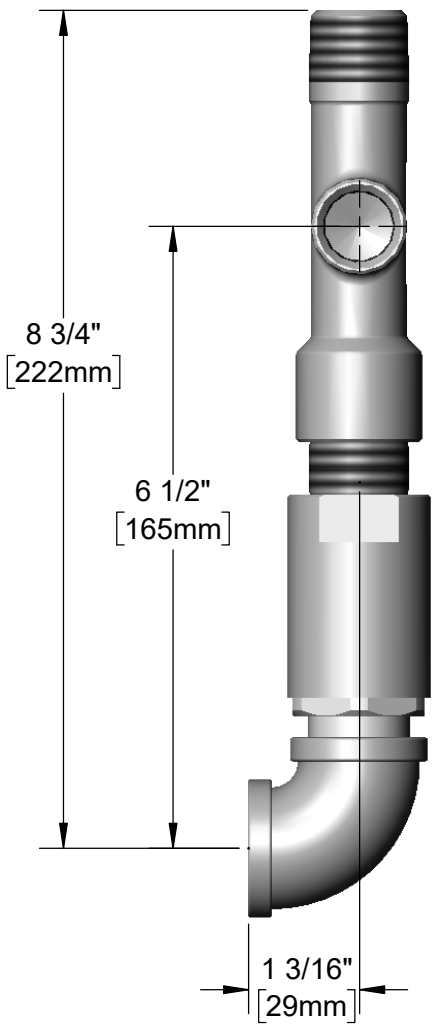
Architect/Engineer _____



3/4" NPT
Female Outlet

3/4" NPT
Male Inlet

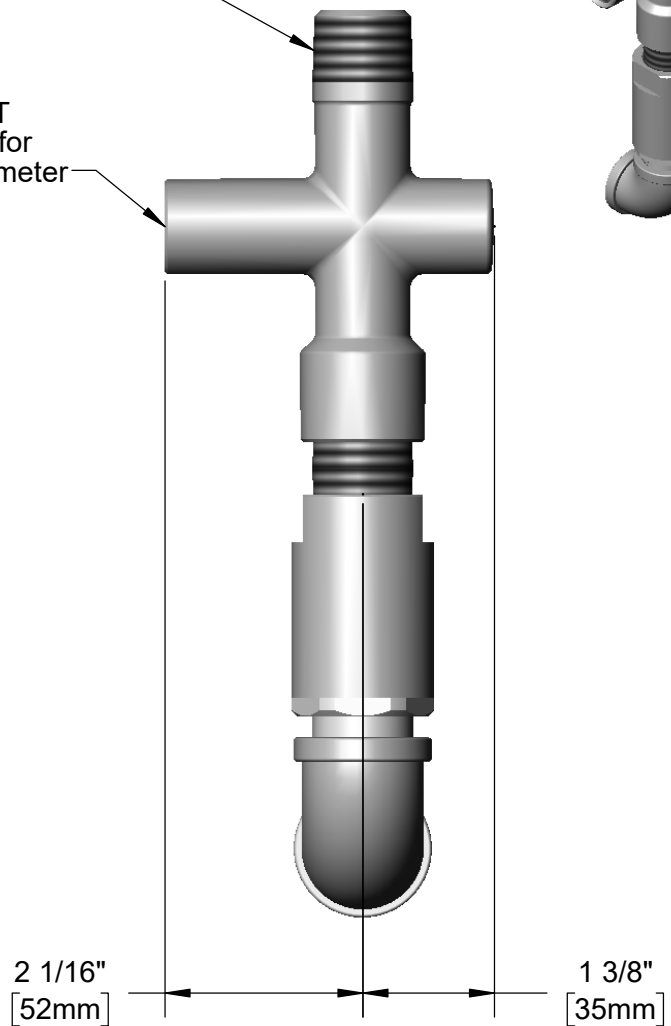
1/2" NPT
Female for
Thermometer



8 3/4"
[222mm]

6 1/2"
[165mm]

1 3/16"
[29mm]



2 1/16"
[52mm]

1 3/8"
[35mm]

Product Specifications:
3/4" Washdown Swivel & Thermometer Tee

Product Compliance:
NSF 61 Exempt (Non-Potable)