



**Architect/Engineering Specifications:**

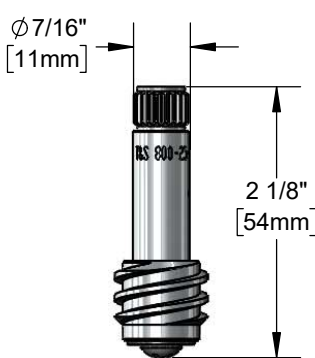
T&S B-1100 spindle replacement parts kit. Certified to NSF 61–Section 9 and NSF 372.

Job Name \_\_\_\_\_  
 Model Specified \_\_\_\_\_ Quantity \_\_\_\_\_  
 Variations Specified \_\_\_\_\_  
 Date \_\_\_\_\_

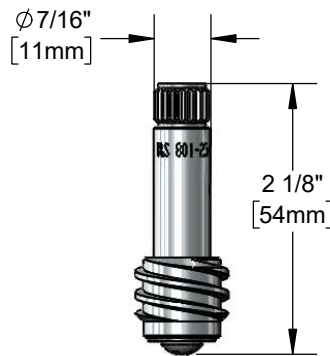


000800-25  
Removable Spindle, RTC  
Qty = 1 ea.

000801-25  
Removable Spindle, LTC  
Qty = 1 ea.



000800-25  
Removable Spindle, RTC  
Qty = 1 ea.



000801-25  
Removable Spindle, LTC  
Qty = 1 ea.

**Features & Benefits:**

- RTC and LTC B-1100 compression cartridges spindle kit w/ seat washers

**Product Compliance:**

- NSF 61 - Section 9
- NSF 372 (Low Lead Content)



**Warranty:** One Year (Limited)

**Performance Data:**

- N/A

